



Installation Guide and User Manual

Airconditioning A2000

ENG – DE – DK – FR



Content

ENG	5
Introduction	6
Operations	8
Condensation	9
Choosing 230V power and using generator	9
Installation requirements	10
Installation instructions.....	10
Preparation	11
Installation	13
Tips.....	16
Remote control.....	18
Plenum display	19
Operation of the remote control.....	19
Specification parameters	22
Product maintenance	23
Troubleshooting guide	24
Warranty	25
DE	26
Einführung	27
Betrieb	29
Kondensat	30
Auswahl der 230V Stromquelle und Netzung eines Generators	30
Montageforderungen.....	31
Montageanleitung	31
Vorbereitung	32
Montage.....	34
Tipps	37
Fernbedienung	39



Verteiler-Display	40
Gebrauch der Fernbedienung	40
Spezifikationsparameter	44
Produktwartung	45
Wartung	45
Problembehandlung.....	46
Garantie.....	47
DK.....	48
Introduktion.....	49
Brug	51
Kondensering	52
Valg af 230V strøm og brug af generator.....	52
Installationskrav.....	53
Installationsinstruktioner	53
Forberedelse.....	54
Installation	56
Tips.....	59
Fjernbetjening	61
Inderpanel display	62
Brug af fjernbetjeningen.....	62
Specifikationsparametre	65
Vedligeholdelse af produktet	66
Fejlfindingsguide.....	67
Garanti.....	68
FR.....	69
Introduction.....	70
Fonctions.....	72
Condensation	73
Choix d'une alimentation 230 V et emploi d'un groupe.....	73



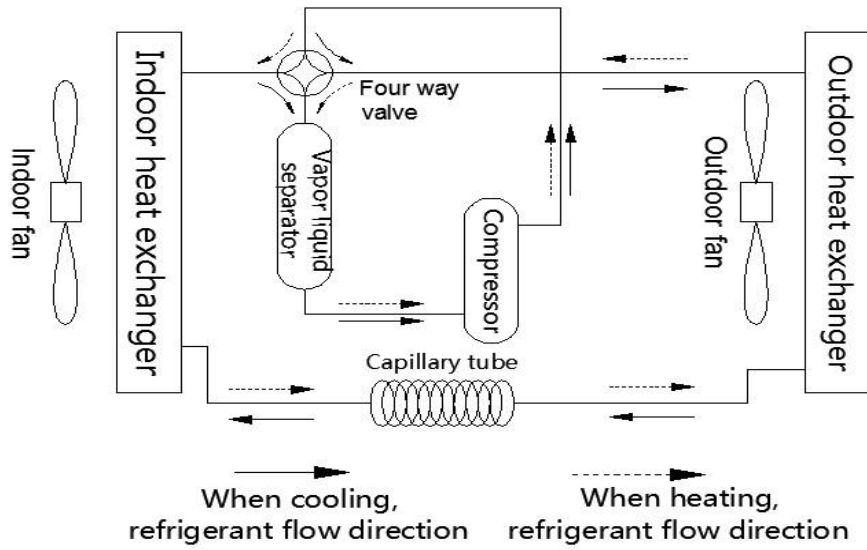
Exigences d'installation.....	74
Instructions d'installation	74
Préparation	75
Installation	77
Conseils	80
Télécommande	82
Affichage de plenum.....	83
Utilisation de la télécommande.....	83
Paramètres des spécifications.....	87
Maintenance produit	88
Guide de dépannage	89
Garantie.....	90



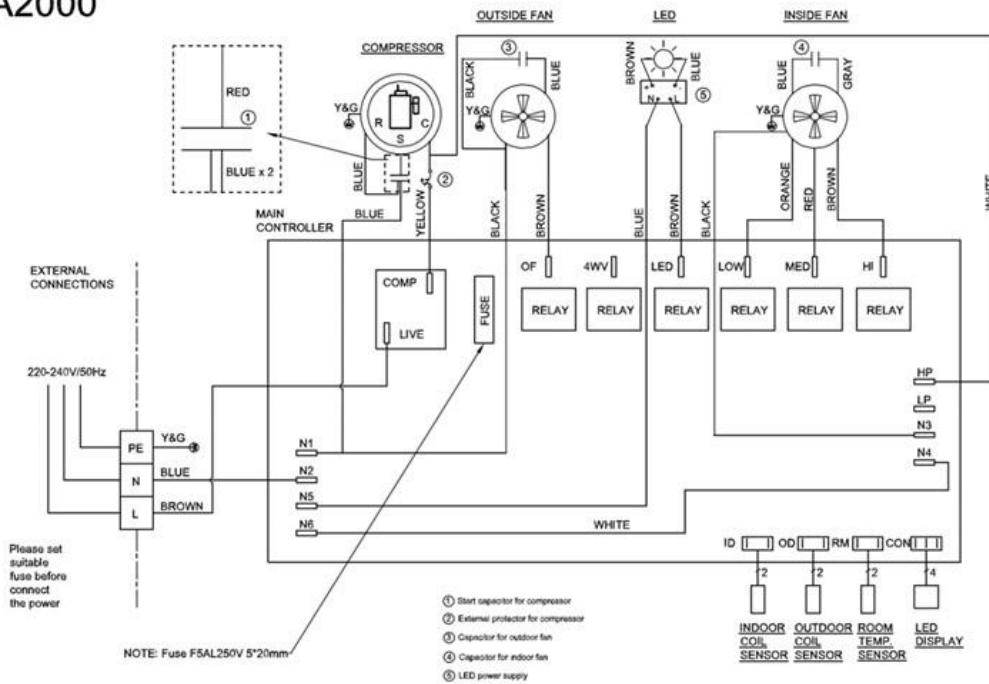
ENG

1. Introduction
2. Installation guide
3. Operation instructions
4. Specifications parameters
5. Product maintenance
6. Troubleshooting guide
7. Warranty

Introduction

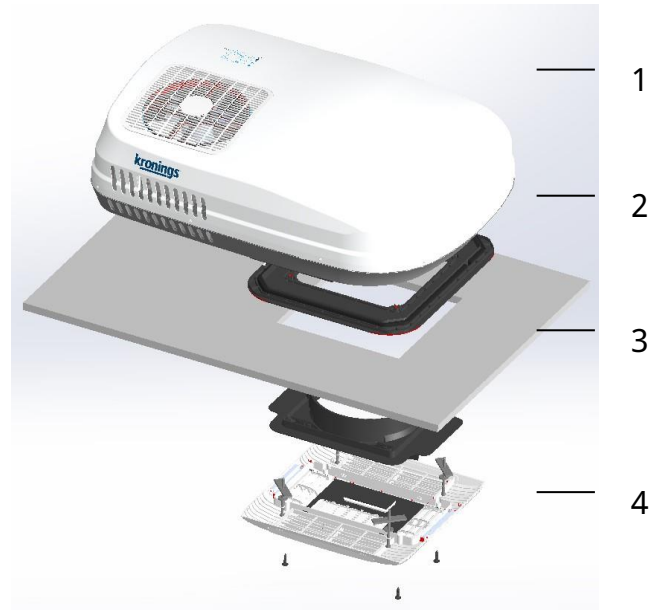


A2000



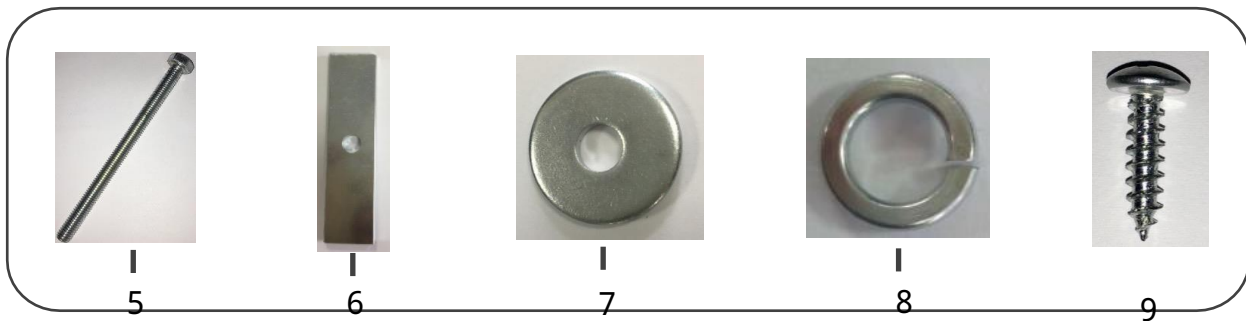
Exploded Parts List Key components:

1. Air-conditioner main unit ×1
2. Reinforced roof support ×1
3. Mounting frame ×1
4. Plenum unit ×1



Fastener components:

5. M8 x 110 mm bolts ×4
6. Fixing washers ×4
7. Round washers ×4
8. Spring washers ×4
9. Screws for plenum ×4



Operations

A2000-50 creates a comfortable environment for a recreational vehicle or caravan.

It is recommended the user should consult caravan manufacturer to understand total heat-load, as well to choose a suitable air-conditioner, some tips to reduce heat-load and improve performance:



Park the caravan at a shaded place to avoid direct sunshine exposure, close all the doors, skylights and windows, draw the curtains and open the sunshade.



Turn off any unnecessary electrical appliances to reduce the heat-load.



Turn on the air-conditioner in advance if exceptionally high temperatures are expected.



Set suitable temperature by remote control to avoid frequent start and stop.

Condensation

Condensation usually happens in areas where the air humidity is comparatively high and when warm moist air within the caravan meets with the cold air from the outlet. In this case, please pay attention to the following measures:



Close all the doors, skylights, windows and draw the curtains to decrease any warm moist air from entering.



In the operation of the air-conditioner, condensate (water) will be produced on the roof. Please select *High Fan mode* to increase circulation to decrease condensation degree.

Please note that damage caused by the condensate water is not covered by warranty.

Choosing 230V power and using generator

A2000-50 requires a stabile 230V AC power source, and may require a generator in some remote circumstance.

Requirements for inverter generator include: efficient power source; stable current; output sine wave, which shall meet the requirements of the compressor. The user should consult with the generator supplier for their recommendations.

Please note that damage caused by using a generator is not covered by warranty.



Installation requirements

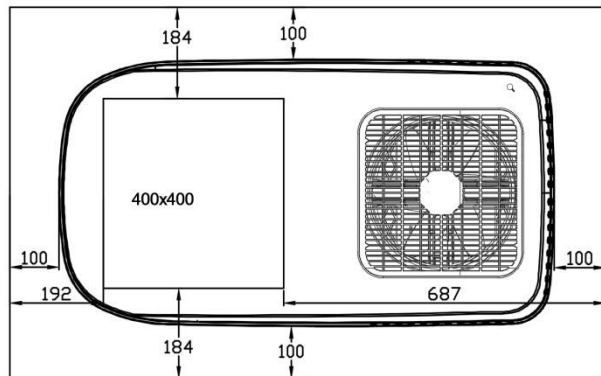
- The RV or caravan roof and cutout needs to be able to support the air-conditioners weight (29kg).
- Minimum thickness of roof: $\geq 23\text{mm}$; maximum thickness of roof: $\leq 55\text{mm}$.

Installation instructions

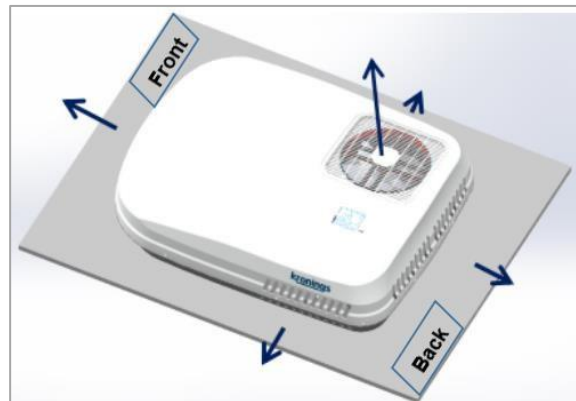
- Read and understand this manual thoroughly before installation.
- Abide by the wiring rules in the installation.
- Do not add other parts or restructure the product during the installation.
- The installers shall be qualified refrigeration technicians.
- Consult with dealer in the case of unusual applications or installation conditions that are not specifically covered by this manual.

Preparation

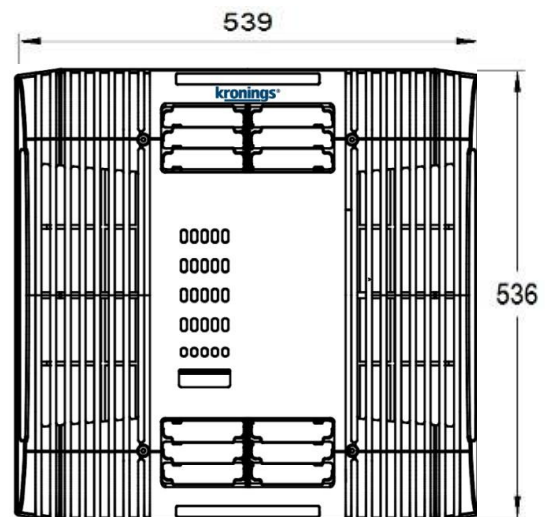
- The main unit should be installed in the center of roof, it is recommended to have a min 100mm space around the top unit.



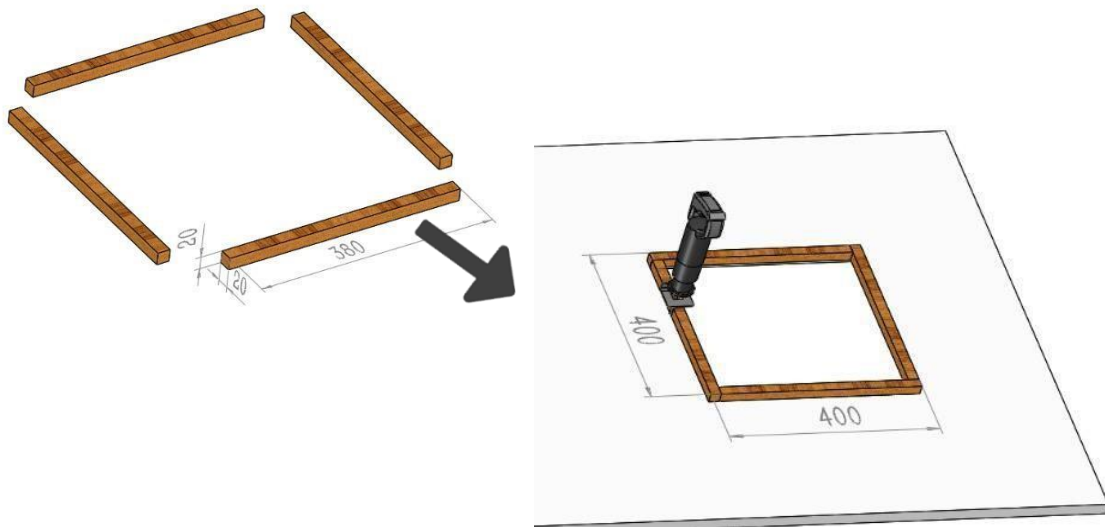
- Before installing please verify there is suitable space in the ceiling to accept the plenum.



- The installation position (400x400mm) should avoid skylight, solar panels, roof vents, heaters, lights and all electrical connections.

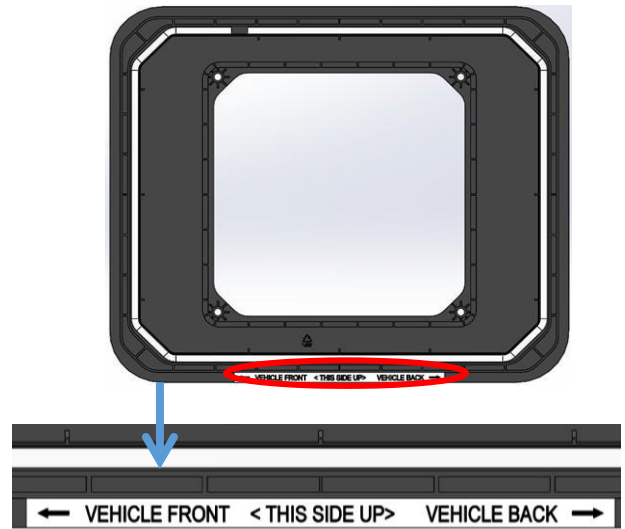


- Please check with your caravan manufacturer to confirm the roof can bear the weight of the air-conditioner and maintain a level surface to avoid accumulating condensate/water.
- Please consult with your caravan manufacturer for the best solution if there is a requirement to cut a mounting hole if provision has not been made for an air conditioner.
- Cut a 400 x 400 hole and reinforce with the appropriate sized timber frame (see pic). This is to ensure the roof will not crush on installation and air does not enter the ceiling space.
- In some instances a separate metal frame may be required to reinforce the roof structure. Consult with your caravan manufacturer/installer to reach a suitable solution.

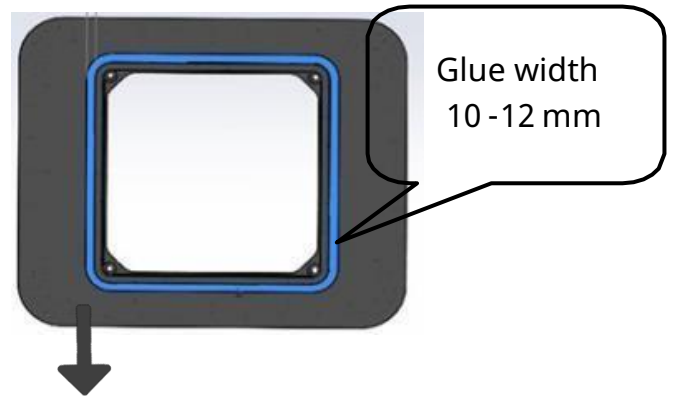


Installation

- Remove the roof support from carton and make sure it is aligned correctly.



- Add a continuous line of sealant on the back of the support and fit into the cut out ensuring that it is aligned correctly.



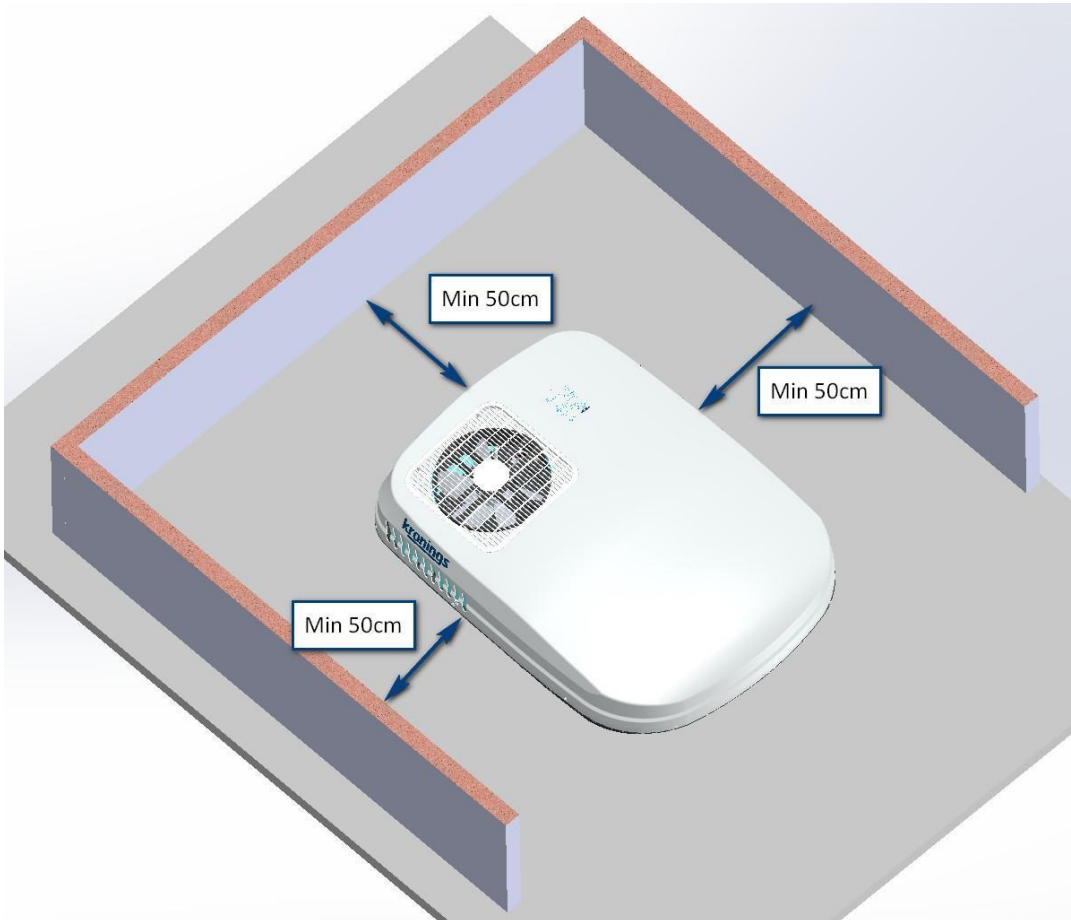
- Install main unit carefully on roof support.



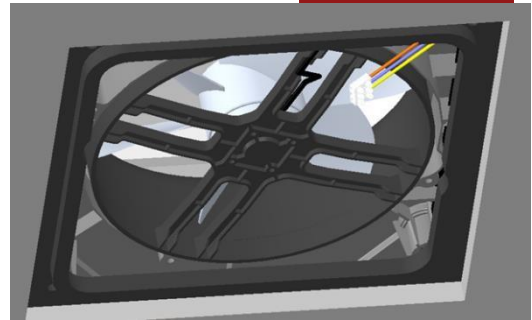
Installation and placement instructions:

- For best use of ventilation and airflow, make sure to install the A/C product in such a way that in all directions there are at least 50 cm distance to cabinets, walls, etc.

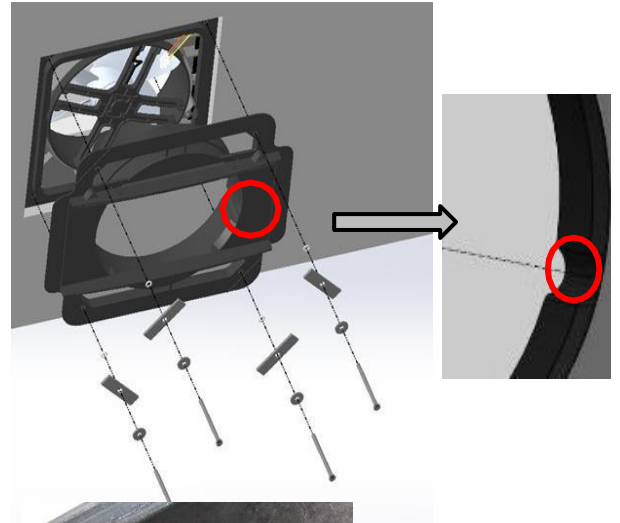
See drawing below.



- Match the corresponding active (brown), neutral (blue) and ground wire (yellow-green) and tighten up screws to make sure power is properly connected.



- Insert plenum mounting bracket through the ceiling to base. Pay attention as the “C” hook must match the corresponding “C” area on the base. Finally fasten.



- Insert 4xM8 bolts, washers, spring washer and metal plate via mounting frame to the base.

Important: ensure the tightening torque from 12 to 14 N.m

- Tie the room temperature sensor onto the rib of mounting bracket.



- Plug the connectors on the plenum to the base. Push plenum into outlet duct and fasten 4xM4 screw on the bottom. Finally add the filters to the sides of the plenum.





Tips

1. Be careful when installing the unit on the roof of the caravan, crawl boards may be required.
2. There may be wires between the roof and the ceiling. When cutting into the roof, make sure the power is isolated to prevent the risk of electric shock.
3. Installation and maintenance of the air-conditioner must only be performed by personnel with appropriate trade qualifications and holding current licenses for such work.
4. Ensure the air-conditioner has been installed in compliance with the instructions of this manual. Incorrect installation methods or alteration of the product may cause damage to the product or personal injuries to the user.
5. Make sure the external electric supply socket of the caravan air- conditioner is effectively grounded in accordance with appropriate electrical standards. Failure to ground the unit correctly may cause electric shock or fire.
6. Ensure that your electrical supply and wiring is correctly sized for the power and meets appropriate electrical standards.
7. Switch on the power to the air-conditioner at the isolation breaker.
8. The caravan air-conditioner must be switched on for electric leakage detection after installation.
9. Use the remote control to operate the air-conditioner.
10. To select the *COOL mode*, adjust the set point temperature to three degrees lower than the room temperature, the unit will start to blow cold air after the compressor starts – approximately 3 minutes.
11. If you are not to use the air-conditioner for an extended period, please isolate the power supply.



12. This appliance is not to be used by persons (including children) with reduced physical, sensory or mental capabilities, or lack of experience and knowledge, unless they are under supervision.

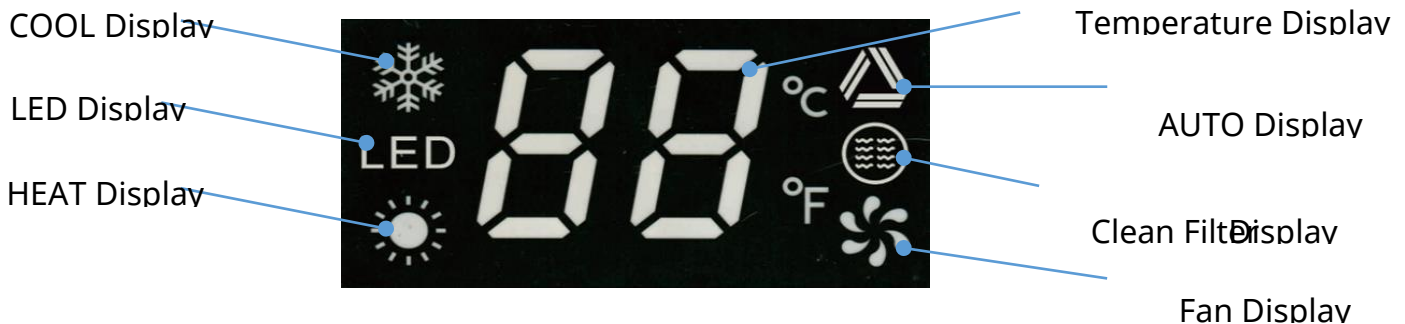
13. The system is set automatically to monitor freezing of the evaporator, If this happens the system will automatically start "Defrosting" process. At first it will display "DF" on the display, then the 4-way valve will change its flow direction for 1 minute and compressor will run 10 minutes, until the system detects there is no more frosting on the evaporator. After this process is finished, the "DF" will disappear from the display, and the unit will continue running.

Note: After selecting the COOL mode, the compressor will have a delay start for three minutes.

Remote control




Plenum display



Operation of the remote control


TURN ON

Press the “**Power** ” key, the unit turns on, the buzzer in the plenum beeps one time and the running mode and the temperature will be displayed.

TURN OFF

Press the “**Power** ” key again, unit turns off and the plenum will display nothing.

AUTO mode

Press the “**MODE**” key, select the “” mode, Fan volume will set automatically, and it is adjustable. Press “**FAN**” button to get expected volume. Press the up or down arrow key to set desired temperature. Depending upon the difference between the set temperature and the ambient temperature the air-conditioner will automatically decide cooling or heating.



COOL mode

Press the "MODE" key, select the "❄️" mode, and Press the down arrow key to set the temperature lower than the room temperature. Press the "FAN" key to select different speed and the plenum will display "❄️" and the set temperature.

DRY mode

Press the "MODE" key, select the **DRY** mode, the air volume is un-adjustable to stay at minimum level, and the plenum will display "❄️" and the set temperature. Make sure to adjust the setting temperature at least 1 °C lower than room temperature to make the dry mode working.

FAN mode

Press the "MODE" key, select the **FAN** mode, Press the "FAN" key. Select Low/Medium/High/AUTO. The plenum will display "🌀" and the indoor environment temperature.

Celsius and Fahrenheit degree change

In any mode, press the "°C/°F" key, you can vary temperature between Celsius and Fahrenheit.

LED turn on and turn off

Press the LED key, the LED light turn on, Press the LED key again, the LED light turn off.

TIMER ON

Press the "**TIMER ON**" key, the "ON TIME" will flash. Press up or down arrow key to set desired time for "**TIMER ON**". Press the "**SET**" key to confirm setup is done. Press up or down arrow key for 2 seconds will enter into fast setting.



TIMER OFF

Press the "**TIMER OFF**" key, the "ON TIME" will flash. Press up or down arrow key to set desired time for "**TIMER OFF**". Press the "**SET**" key to confirm setup is done. Press up or down arrow key for 2 seconds will enter into fast setting.

CLOCK set

Press "CLOCK" button to set the time. Press up or down arrow key to set desired time. Press up or down arrow key for 2 seconds will enter into fast setting.

SLEEP

Press the "**SLEEP**" key to display sleep icon on the remote screen, when in cooling mode under this function after 1 hour the temperature will automatically increase 1 degree, and after 2 hours it will raise 2 degrees, then it will maintain the same temperature until it automatically turns off 8 hours after setting.

- THE REMOTE CONTROL WILL ONLY OPERATE IF DIRECTLY POINTED AT THE PLENUM. It will beep once when the signal is received. Adjust the distance and angle if the plenum does not respond.
- The unit will blow cold air in COOL mode.
- When the unit is on, press the "DISPLAY" key on the remote control to display on the plenum.
- The air-conditioner features power cut memory and automatic resets after restarting.
- If the device is to be left unused for an extended period, remove the batteries from the remote control.



Specification parameters

Model	A2000-50
Power supply	220~240V/50Hz
Refrigerant charged	R407C/450g
Rated cooling capacity (W)	2000
Rated heating capacity (W)	NA
Input power for cooling (W)	690
Input power for heating (W)	NA
Rated current for cooling (A)	3.0
Rated current for heating (A)	NA
Maximum input power (W)	805
Maximum current (A)	3.5
Maximum design pressure (kPa)	2900
Minimum design pressure (kPa)	1840
Maximum air flow (l/s)	102
Installed weight (kg)	33
Minimum ambient temperature (°C) - heating	NA
Maximum ambient temperature (°C) cooling	50
Main unit dimension	Height 244mm; Width 567mm; Length 1079 mm
Plenum unit dimension	Height 40mm; Width 540mm; Length 536mm


Note:

1. All parameters listed are subject to change without notice and the nameplates on the machine shall prevail;
2. E&OE All values are approximate & subject to change.



Product maintenance

Filter

- The air filter components need to be maintained periodically.
- Check and clean the filters each week when in use. The system will remind you to clean filters after 500h compressor time, it will show on the display. 

- A) Remove the filters from the plenum and wash in warm water with a touch of detergent.
- B) Click the cancel button for 3 seconds to reset the display indicator.

The refrigerant level may drop over time. We recommend a professional technician to top up or refill the unit with fresh refrigerant.

Screw check

- It is recommended that the bolts holding the unit to the roof are checked for tightness 3 months after the first installation of the product.
- These bolts should be regularly inspected a minimum of every 12 months through- out the air conditioners life.

Maintenance

It is recommended that the air-conditioner is operated regularly to ensure good performance.

In the case of a caravan that will not be used regularly then the unit should be operated for 20-30 minutes every 6 months.

In the event the caravan is parked outdoors for an extended period it is recommended a protective jacket be fitted over the mount unit of the air conditioner to protect from the elements.




Troubleshooting guide

1. Display not showing on the plenum when turned on /off

- Check if the power is connected properly to RV.
- Check if the battery of remote control is good.
- Check if the remote control is turned on off.
- Check if the power has good connection from roof unit to plenum.

2. Cooling not good

- Select correct cooling mode and confirm light  is showing.
- The set temperature should be lower than room temperature.
- There is three minutes delay on compressor.
- Make sure filters are clean.
- Select max fan to achieve best performance
- Be sure all door and windows are closed.
- Draw curtains to help reduce incoming heat.



EO Communication fault

E1	Room temperature sensor faulty
	Fault in connection to room temperature sensor or other damage.
E2	Indoor coil temperature sensor faulty
	Fault in connection to indoor coil temperature sensor or other damage.
E3	Outdoor coil temperature sensor faulty
	Fault in connection to outdoor coil temperature sensor or other damage.
E4	Insufficient reffridgerant
	Faulty in cooling or heating function. No temperature change is detected on the indoor coil sensor at first 20min after compressor start to work.
E5	Indoor/ Outdoor coil over heated protection
	When cooling or dry mode, too high temperature on outdoor coil sensor. When heating mode, too high temperature on indoor coil sensor.
E7	Compressor overload protection
	The compressor is self-protected and stopped due to too high load.

Warranty

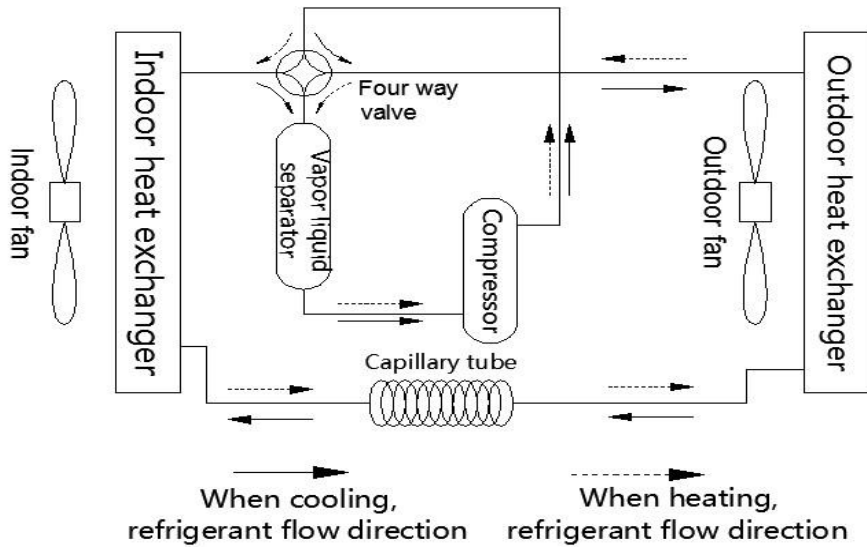
The unit comes with a 2-year warranty.



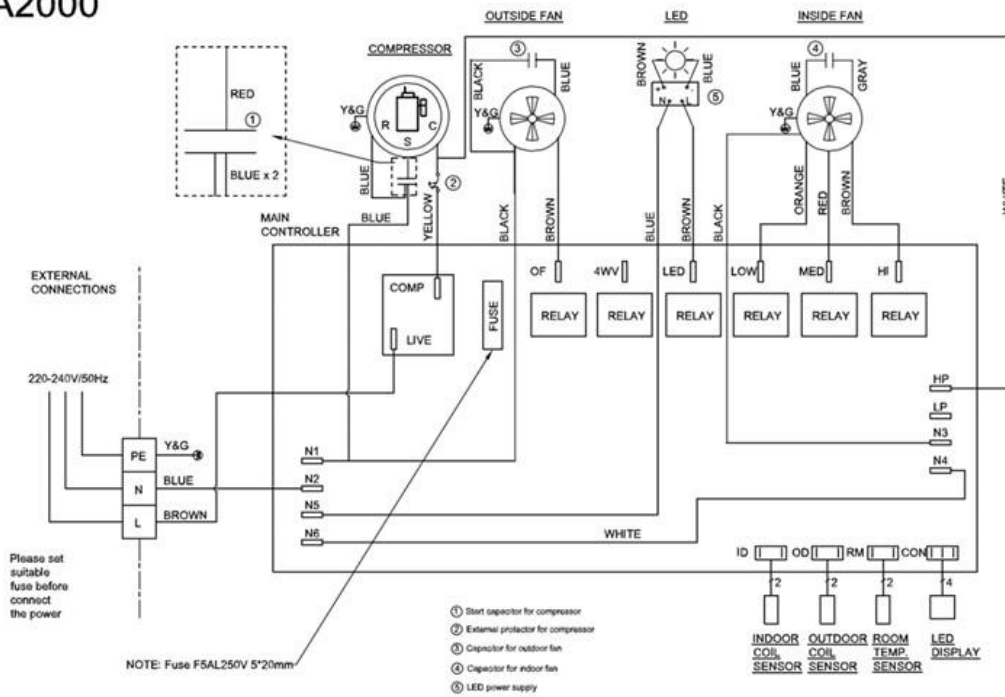
DE

1. Einführung
2. Montageanleitung
3. Betriebsanleitung
4. Spezifikationsparameter
5. Produktwartung
6. Problembehandlung
7. Garantie

Einführung

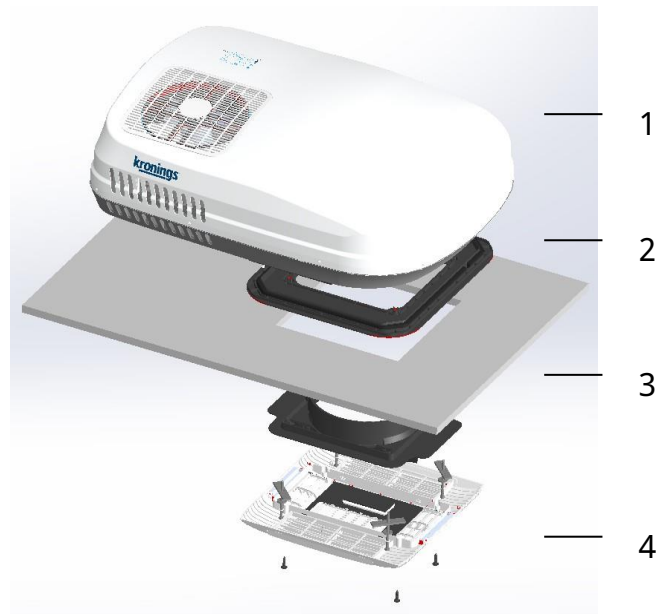


A2000



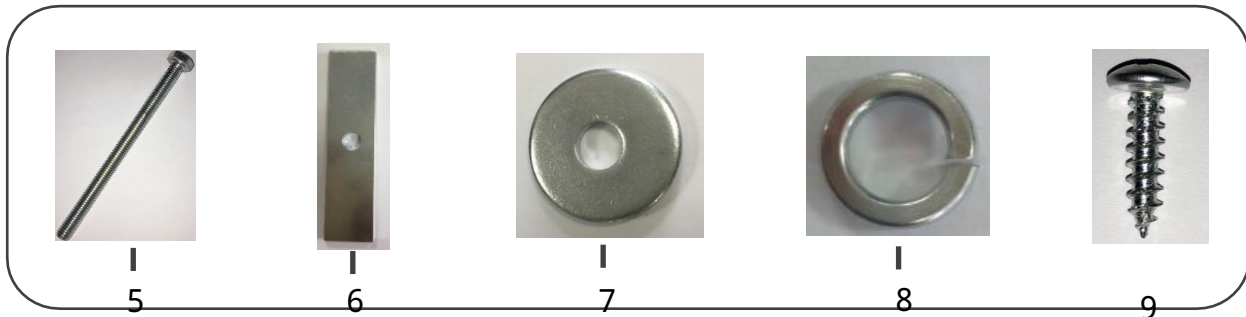
Geräteaufbau Hauptkomponenten:

- 1: Haupteinheit der Klimaanlage ×1
- 2: Verstärkte Dachstütze ×1
- 3: Montagerahmen ×1
- 4: Verteilereinheit ×1



Verbindungskomponenten:

- 5: M8 x 110 mm Bolzen ×4
- 6: Fixierscheiben ×4
- 7: Runde Unterlegscheiben ×4
- 8: Federscheiben ×4
- 9: Schrauben für Verteiler ×4



Betrieb

A2000-50 schafft eine komfortable Umgebung für Wohnmobile oder Wohnwagen

Es wird empfohlen, dass der Benutzer den Wohnmobilhersteller zu Rate zieht, um die Gesamtwärmebelastung zu verstehen, sowie um eine geeignete Klimaanlage zu wählen. Einige Tipps zur Reduzierung der Wärmebelastung und zur Leistungssteigerung:



Parken Sie das Wohnmobil an einem schattigen Ort, um direkte Sonneneinstrahlung zu vermeiden, schließen Sie alle Türen, Oberlichter und Fenster, ziehen Sie die Vorhänge zu und öffnen Sie den Sonnenschutz.



Schalten Sie unnötige Elektrogeräte aus, um die Wärmelast zu reduzieren.



Schalten Sie die Klimaanlage vorab ein, wenn außergewöhnlich hohe Temperaturen zu erwarten sind



Stellen Sie die geeignete Temperatur per Fernbedienung ein, um häufiges Starten und Stoppen zu vermeiden

Kondensat

Kondensation findet in der Regel in Bereichen mit vergleichsweise hoher Luftfeuchtigkeit statt, wenn warme, feuchte Luft im Wohnmobil auf die kalte Luft aus dem Auslass trifft. Achten Sie in diesem Fall auf folgende Maßnahmen:



Schließen Sie alle Türen, Oberlichter, Fenster und ziehen Sie die Vorhänge zu, um das Eindringen warmer, feuchter Luft zu verhindern



Beim Betrieb der Klimaanlage wird auf dem Dach Kondensat (Wasser) erzeugt. Bitte wählen Sie den *HochventilationsModus*, um die Zirkulation zu erhöhen und den Kondensationsgrad zu verringern

Bitte beachten Sie, dass Schäden durch das Kondenswasser nicht von der Garantie abgedeckt sind.

Auswahl der 230V Stromquelle und Netzung eines Generators

A2000-50 benötigt eine stabile 230 V AC Stromquelle und kann unter bestimmten Umständen einen Generator benötigen

Zu den Anforderungen an den Wechselrichtergenerator gehören: effiziente Stromquelle; stabiler Strom; Sinus-Ausgangswelle, die den Anforderungen des Kompressors entsprechen muss. Der Benutzer sollte sich mit dem Generatorlieferanten über die Empfehlungen beraten.

Bitte beachten Sie, dass Schäden, die durch die Verwendung eines Generators verursacht werden, nicht unter die Garantie fallen.



Montageforderungen

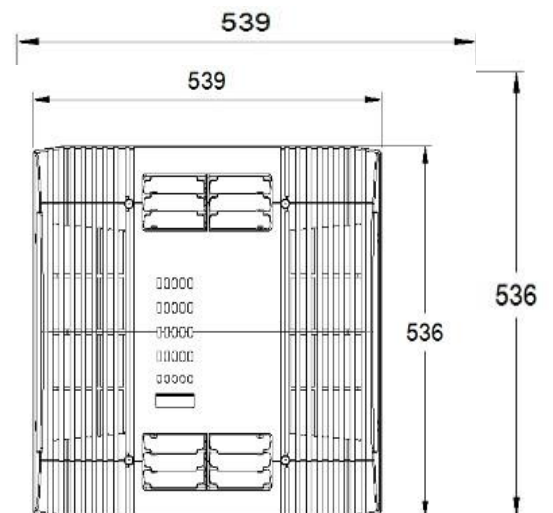
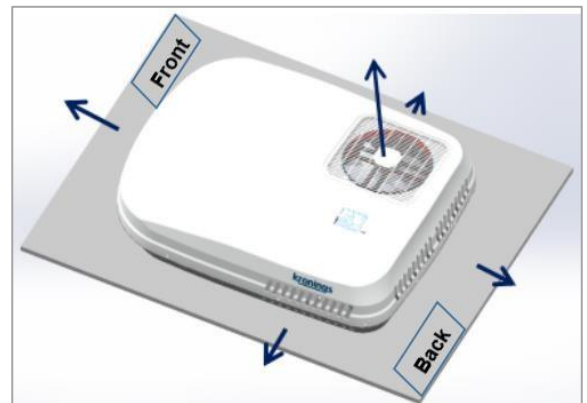
- Das Dach des Wohnmobils und der Ausschnitt müssen das Gewicht der Klimaanlage tragen können (29 kg).
- Minimale Dicke des Dachs: ≥ 23 mm; maximale Dicke des Dachs: ≤ 55 mm.

Montageanleitung

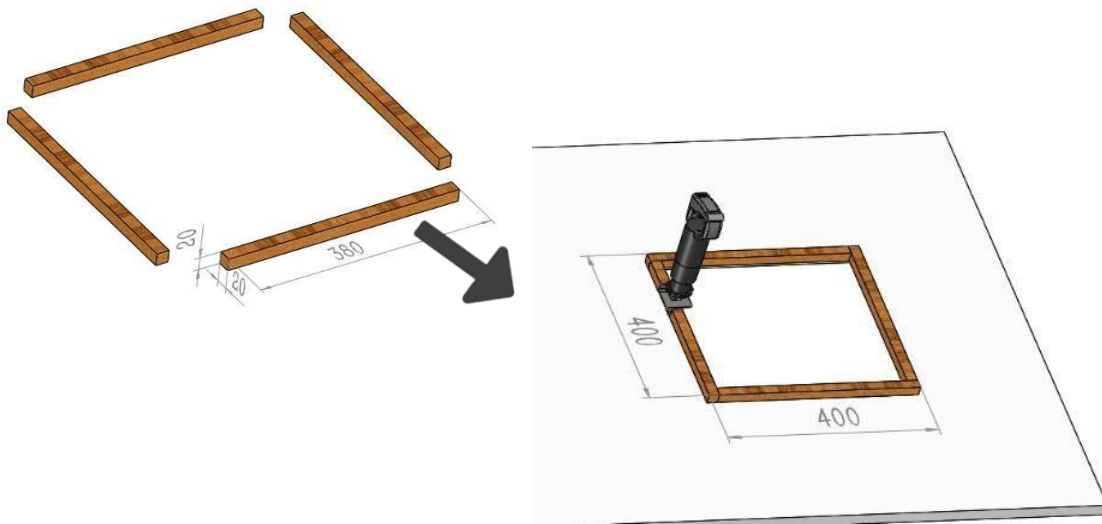
- Lesen und verstehen Sie diese Anleitung vor der Installation vollständig.
- Beachten Sie während der Montage die Verkabelungsvorschriften.
- Fügen Sie während der Montage keine weiteren Teile hinzu und bauen Sie das Produkt nicht um.
- Die Monteure müssen qualifizierte Kältetechniker sein.
- Wenden Sie sich bei ungewöhnlichen Anwendungen oder Montagebedingungen, die nicht ausdrücklich in dieser Anleitung behandelt werden, an den Händler.

Vorbereitung

- Die Haupteinheit sollte in der Mitte des Dachs installiert werden. Es wird empfohlen, einen Abstand von mindestens 100 mm um die obere Einheit zu haben
- Vergewissern Sie sich vor der Montage, dass in der Decke ein geeigneter Raum für den Verteiler vorhanden ist.
- Die Montageposition (400 x 400 mm) sollte Oberlicht, Solarmodule, Dachlüfter, Heizungen, Leuchten und alle elektrischen Anschlüsse umgehen.

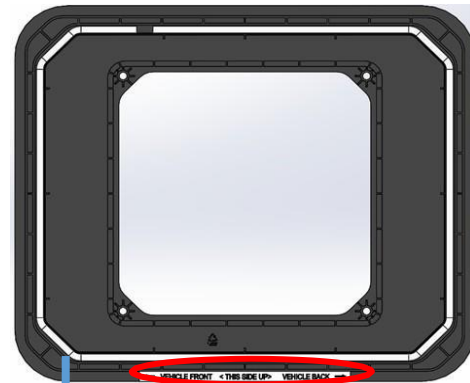


- Bitte erkundigen Sie sich bei Ihrem Wohnmobilhersteller, ob das Dach das Gewicht der Klimaanlage tragen kann und halten Sie eine ebene Fläche ein, um Kondensat zu vermeiden.
- Bitte wenden Sie sich an Ihren Wohnmobilhersteller, wenn keine Klimaanlage vorgesehen ist und eine Montageöffnung geschnitten werden muss.
- Schneiden Sie ein 400 x 400 Loch und verstärken Sie es mit einem entsprechend dimensionierten Holzrahmen (siehe Bild). Auf diese Weise wird sichergestellt, dass das Dach bei der Montage nicht zerquetscht wird und keine Luft in den Deckenraum gelangt.
- In einigen Fällen kann ein separater Metallrahmen zur Verstärkung der Dachkonstruktion erforderlich sein. Wenden Sie sich an Ihren Wohnmobilhersteller/Installateur, um eine geeignete Lösung zu finden.

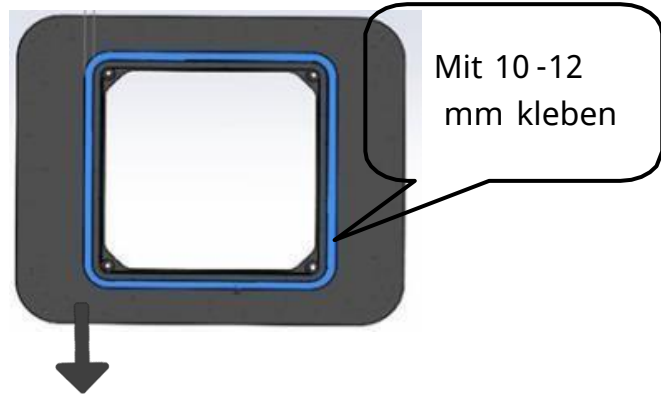


Montage

- Entfernen Sie die Dachstütze aus dem Karton und achten Sie auf die korrekte Ausrichtung.



- Tragen Sie eine durchgehende Linie Dichtungsmasse auf der Rückseite der Stütze auf und legen Sie sie in den Ausschnitt, um sicherzustellen, dass sie richtig ausgerichtet ist.



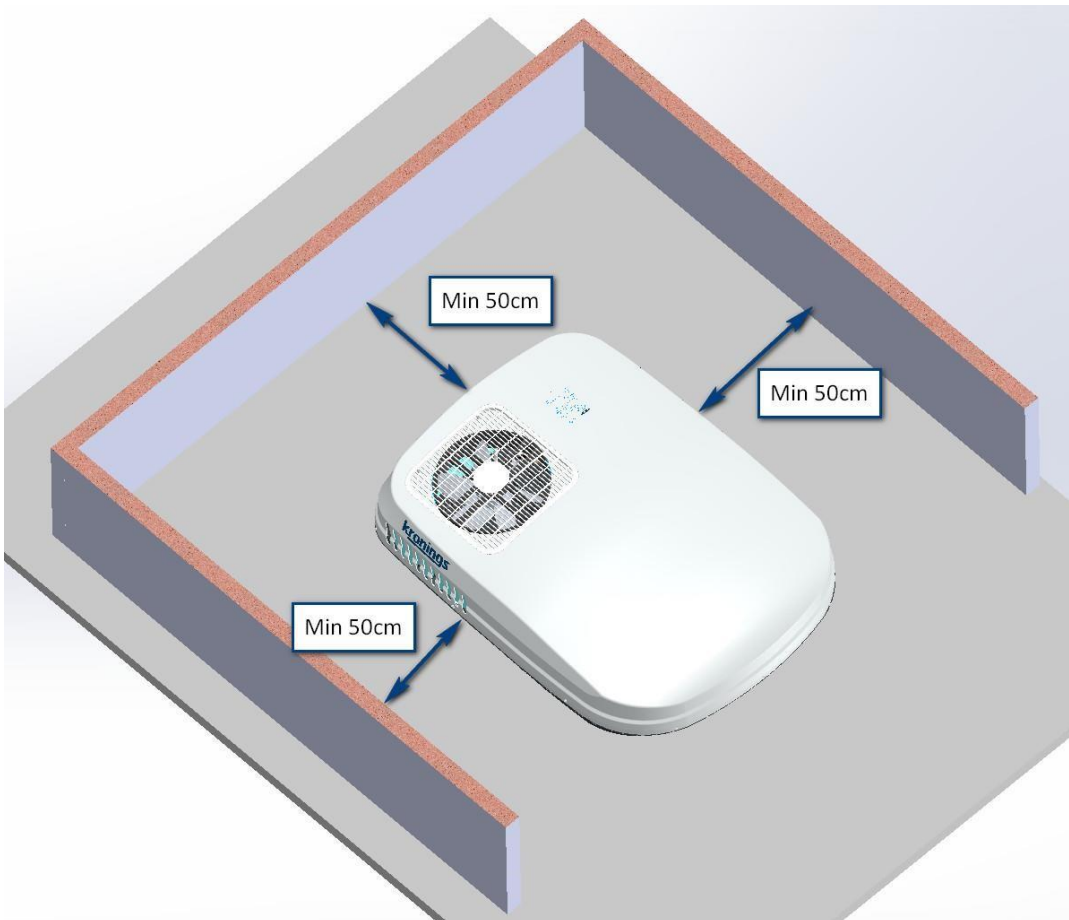
- Montieren Sie das Hauptgerät vorsichtig auf der Dachstütze.



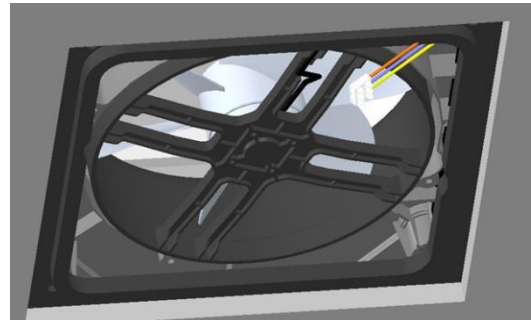
Installations- und Platzierungsanweisungen:

- Um die beste Nutzung von Belüftung und Luftstrom optimal zu nutzen, muss die Klimaanlage so installiert werden, dass in alle Richtungen ein Abstand von mindestens 50 cm zu Schränken, Wänden usw. besteht.

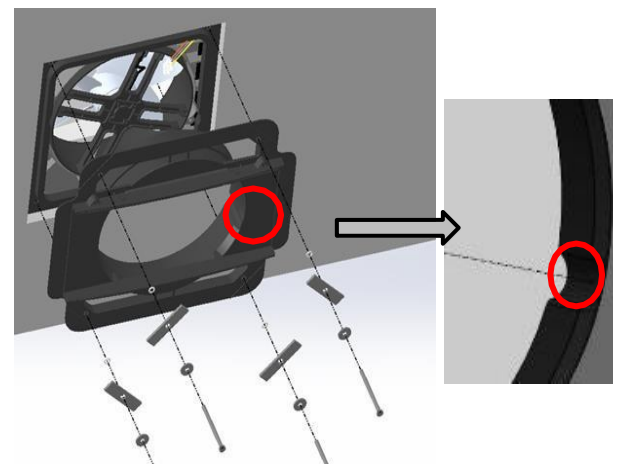
Siehe Zeichnungen.



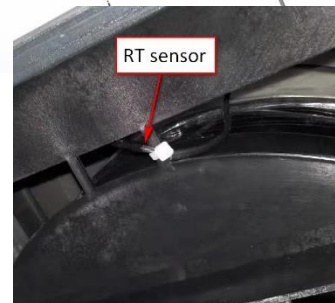
- Passen Sie das entsprechende aktive (braun), neutrale (blau) und Erdungskabel (gelb-grün) an und ziehen Sie die Schrauben an, um sicherzustellen, dass die Stromversorgung ordnungsgemäß angeschlossen ist.



- Stecken Sie die Verteiler-Montagehalterung durch die Decke an die Basis. Achten Sie darauf, dass der "C"-Haken mit der entsprechenden "C"-Fläche auf der Basis übereinstimmt. Zum Schluss befestigen.



- 4x M8 Schrauben, Unterlegscheiben, Federscheibe und Metallplatte über den Montagerahmen in die Basis einsetzen.



- Raumtemperatursensor an die Rippe der Montagehalterung befestigen.

Wichtig: Achten Sie auf ein Anziehdrehmoment von 12 bis 14 Nm



- Stecken Sie die Anschlüsse am Verteiler auf die Basis.

- Drücken Sie den Verteiler in den Auslasskanal und befestigen Sie 4x M4 Schrauben an der Unterseite. Platzieren Sie schließlich die Filter an den Seiten des Verteilers.



Tipps

1. Seien Sie während der Montage des Geräts auf dem Dach des Wohnwagens vorsichtig, es können Kriechbretter erforderlich sein.
2. Zwischen Dach und Decke können Kabel sein. Beim Einschneiden in das Dach ist darauf zu achten, dass die Stromversorgung isoliert ist, um die Gefahr eines Stromschlags zu vermeiden.
3. Die Montage und Wartung der Klimaanlage darf nur von Fachpersonal mit entsprechender Qualifikation und gültigen Genehmigungen durchgeführt werden.
4. Stellen Sie sicher, dass die Klimaanlage gemäß den Anweisungen in dieser Anleitung montiert wurde. Falsche Montagemethoden oder Änderungen am Produkt können zu Schäden am Produkt oder zu Verletzungen des Benutzers führen.
5. Vergewissern Sie sich, dass die externe Steckdose der Klimaanlage gemäß den geltenden elektrischen Normen ordnungsgemäß geerdet ist. Wenn das Gerät nicht ordnungsgemäß geerdet wird, kann es zu Stromschlägen oder Bränden kommen.
6. Vergewissern Sie sich, dass Ihre Stromversorgung und Verkabelung die richtige Dimensionierung für die Stromversorgung aufweist und den entsprechenden elektrischen Normen entspricht.
7. Schalten Sie die Stromversorgung der Klimaanlage am Trennschalter ein.
8. Nach der Montage muss die Klimaanlage zur elektrischen Leckageerkennung eingeschaltet werden.
9. Verwenden Sie die Fernbedienung, um die Klimaanlage zu bedienen.
10. Stellen Sie die Solltemperatur auf drei Grad unter der Raumtemperatur ein, um den KÜHL-Modus auszuwählen. Das Gerät beginnt nach dem Start des Kompressors - ca. 3 Minuten - mit dem Einblasen von Kaltluft.



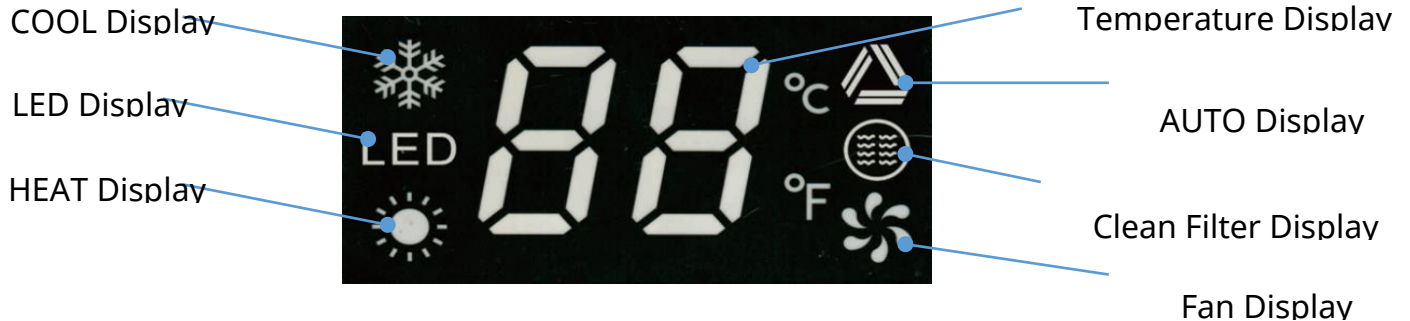
11. Trennen Sie bitte die Stromversorgung, wenn Sie das Klimagerät über einen längeren Zeitraum nicht benutzen.
12. Dieses Gerät darf nicht von Personen (einschließlich Kindern) mit eingeschränkter körperlicher, sensorischer oder geistiger Leistungsfähigkeit oder mangelnder Erfahrung und Kenntnis verwendet werden, es sei denn, sie stehen unter Aufsicht.
13. Das System ist automatisch auf die Überwachung des Einfrierens des Verdampfers eingestellt. In diesem Fall startet das System automatisch den Abtauprozess. Hierbei zeigt es "DF" auf dem Display an, ändert die Durchflussrichtung des 4-Wege-Ventils für 1 Minute und der Verdichter läuft 10 Minuten, bis das System erkennt, dass der Verdampfer nicht mehr mit Frost überzogen ist. Nach Abschluss dieses Vorgangs verschwindet "DF" von der Anzeige und das Gerät läuft weiter.

Hinweis: Nach Auswahl des KÜHL-/HEIZ-Modus hat der Verdichter eine Verzögerung von drei Minuten.

Fernbedienung




Verteiler-Display




Gebrauch der Fernbedienung


EINSCHALTEN

Drücken Sie die **"Power"**  Taste. Das Gerät schaltet sich ein, der Verteiler piept einmal und der Modus und die Temperatur werden angezeigt.

AUSSCHALTEN

Drücken Sie erneut die **"Power"**  Taste. Das Gerät und das Display schalten sich aus.


AUTO-Modus

Drücken Sie die **"MODE"** Taste und wählen Sie . Das Ventilatorvolumen wird automatisch eingestellt und ist einstellbar. Drücken Sie die "FAN" Taste, um das erwartete Volumen zu erhalten. Die Aufwärts- oder Abwärtsfeiltaste drücken, um die gewünschte Temperatur einzustellen. Abhängig von der Differenz zwischen der eingestellten Temperatur und der Umgebungstemperatur wird das Klimagerät automatisch. Der Heizmodus wird nicht aktiviert.



KÜHL-Modus

Drücken Sie die "MODE" Taste und wählen Sie "❄️". Drücken Sie die "TEMP" Taste, um die Temperatur niedriger als die Raumtemperatur einzustellen.

Drücken Sie die "FAN"  Taste, um den Ventilator einzustellen. Das Display zeigt "❄️" und die eingestellte Temperatur an.

TROCKNEN-Modus

Drücken Sie die "MODE" Taste und wählen Sie "💧". Das Volumen ist auf das Minimum eingestellt. Drücken Sie die "TEMP-" Taste, um die Temperatur 1°C niedriger als die Raumtemperatur einzustellen. Das Display zeigt "❄️" und die eingestellte Temperatur an.

VENTILATOR-Modus

Drücken Sie die "MODE" Taste und wählen Sie "🌀". Drücken Sie die "FAN" Taste. Wählen Sie Niedrig/Mittel/Hoch/AUTO. Das Display zeigt "🌀" und die Raumtemperatur an.

Temperatureinheit ändern

Drücken Sie die "°C/°F" Taste, um die Temperatureinheit zu ändern.

LED ein-/ausschalten

Drücken Sie die LED-Taste um die LEDs ein-/auszuschalten .

TIMER AN

Drücken Sie die Taste "TIMER ON". Wenn die Taste "ON TIME" blinkt, drücken Sie die Aufwärts- oder Abwärtspfeiltaste, um die gewünschte Zeit für "TIMER ON" einzustellen. Drücken Sie die Taste "SET", um zu bestätigen, dass die Einrichtung



abgeschlossen ist. Pfeiltaste 2 Sekunden lang nach oben oder unten drücken, um die schnelle Einstellung zu aktivieren.

TIMER AUS

Drücken Sie die Taste "TIMER OFF". Wenn die Taste "ON TIME" blinkt. Drücken Sie die Aufwärts- oder Abwärtspfeiltaste, um die gewünschte Zeit für "TIMER OFF" einzustellen. Drücken Sie die Taste "SET", um zu bestätigen, dass die Einrichtung abgeschlossen ist. Pfeiltaste 2 Sekunden lang nach oben oder unten drücken, um die schnelle Einstellung aktivieren.

UHR einstellen

Drücken Sie die "CLOCK" Taste, um die Zeit einzustellen: Drücken Sie einfach die "TIME+" oder "TIME-" Taste, um die gewünschte Zeit einzustellen.

SLEEP-Modus

Drücken Sie die "**SLEEP**" Taste, um den Sleep-Modus einzuschalten. In diesem Modus wird die Temperatur nach einer Stunde um 1°C erhöht und nach zwei Stunden um 2°C. Die Temperatur wird gehalten, danach wird die Temperatur ab Einstellung 8 Stunden lang aufrechterhalten.



- DIE FERNBEDIENUNG FUNKTIONIERT NUR, WENN SIE DIREKT AUF DEN VERTEILER GERICHTET IST. Es piept einmal, wenn das Signal empfangen wird. Stellen Sie den Abstand und den Winkel ein, wenn das Plenum nicht reagiert.
- Das Gerät bläst im KÜHL-Modus kalte Luft.
- Drücken Sie, wenn das Gerät eingeschaltet ist, die Taste "DISPLAY" auf der Fernbedienung, um das Display am Verteiler einzuschalten.
- Die Klimaanlage verfügt über einen Speicher für Stromausfälle und automatische Resets nach dem Neustart.
- Entfernen Sie die Batterien aus der Fernbedienung, wenn das Gerät längere Zeit nicht benutzt werden soll.

Spezifikationsparameter

Modell	A2000-50
Stromzufuhr	220~240V/50Hz
Kältemittelbefüllung	R407C/450g
Nennleistung Kühlung (W)	2000
Nennleistung Heizung (W)	NA
Eingangsleistung Kühlung (W)	690
Eingangsleistung Heizung (W)	NA
Nennstrom Kühlung (A)	3.0
Nennstrom Heizung (A)	NA
Max. Eingangsleistung (W)	805
Max. Strom (A)	3.5
Max. Nenndruck (kPa)	2900
Min. Nenndruck (kPa)	1840
Max. Luftstrom (l/s)	102
Gewicht nach Montage (kg)	33
Min. Raumtemperatur (°C) – Heizung	-5
Max. Raumtemperatur (°C) - Kühlung	50
Maße Haupteinheit	H 244mm; B 567mm; L 1079 mm
Maße Verteilereinheit	H 40mm; B 540mm; L 536mm

Hinweise:


1. Alle aufgeführten Parameter können ohne Vorankündigung geändert werden, die Kennzeichnungen auf dem Gerät haben Vorrang;
2. E&OE Alle Werte sind Richtwerte und können sich ändern.



Produktwartung

Filter

- Die Luftfilterkomponenten müssen periodisch gewartet werden.
- Überprüfen und reinigen Sie die Filter jede Woche, wenn sie in Betrieb sind. Das System erinnert Sie daran, die Filter nach 500 Stunden Kompressorzeit zu reinigen, dies wird auf dem Display angezeigt.

- A) Entfernen Sie die Filter  aus dem Verteiler und waschen Sie sie mit etwas Reinigungsmittel in warmem Wasser.
- B) Drücken Sie die Abbruchtaste für 3 Sekunden, um die Anzeige zurückzusetzen.

Der Kühlmittelstand kann mit der Zeit sinken. Wir empfehlen daher, dass ein Techniker das Gerät mit frischem Kühlmittel auffüllt.

Schrauben

- Es wird empfohlen, die Schrauben, mit denen das Gerät auf dem Dach befestigt ist, 3 Monate nach der ersten Montage des Produkts auf festen Sitz zu überprüfen.
- Diese Schrauben sollten regelmäßig, mindestens alle 12 Monate, während der gesamten Lebensdauer der Klimaanlage überprüft werden.

Wartung

Es wird empfohlen, die Klimaanlage regelmäßig zu betreiben, um eine gute Leistung zu gewährleisten.

Im Falle eines Wohnmobils, das nicht regelmäßig benutzt wird, sollte das Gerät alle 6 Monate für 20 - 30 Minuten betrieben werden.

Für den Fall, dass das Wohnmobil über einen längeren Zeitraum im Freien abgestellt wird, wird empfohlen, zum Schutz vor Witterungseinflüssen eine Schutzhülle über das Hauptgerät der Klimaanlage zu legen.




Problembehandlung

1. Display schaltet sich nicht ein

- Überprüfen Sie, ob die Stromversorgung ordnungsgemäß am Wohnmobil angeschlossen ist.
- Überprüfen Sie, ob die Batterie der Fernbedienung in Ordnung ist.
- Überprüfen Sie, ob die Fernbedienung ausgeschaltet ist.
- Überprüfen Sie, ob eine gute Stromverbindung vom Dachgerät zum Verteiler besteht.

2. Keine gute Kühlung

- Wählen Sie den richtigen Kühlmodus und vergewissern Sie sich, dass  angezeigt wird.
- Die eingestellte Temperatur sollte niedriger sein als die Raumtemperatur.
- Es gibt eine Verzögerung von drei Minuten am Kompressor.
- Vergewissern Sie sich, dass die Filter sauber sind.
- Wählen Sie die maximale Lüfterleistung, um die beste Leistung zu erzielen.
- Stellen Sie sicher, dass alle Türen und Fenster geschlossen sind.
- Ziehen Sie Vorhänge zu, um die einströmende Wärme zu reduzieren.



EO Kommunikationsfehler

E1	Raumtemperatursensor ist defekt Fehler in der Verbindung mit der Raumtemperatursensor oder andere Schäden.
E2	Innentemperatursensor der Spule ist defekt Fehler im Anschluss der Innentemperatursensor und Spule oder andere Schäden.
E3	Temperatursensor der Außenspule defekt Fehler in Verbindung mit dem Temperatursensor der Außenspule oder andere Schäden
E4	Unzureichendes Kältemittel Fehler in der Kühl- oder Heizfunktion. Nach 20 Minuten nach dem Start des Kompressors wird am Innenspulensensor keine Temperaturänderung festgestellt
E5	Innen- / Außenschutz gegen Überhitzung Wenn der Kühl- oder Trockenmodus verwendet wird, wird der Spulensensor bei einer zu hohen Temperatur das anzeigen. Beim Erhitzen wird am Innensensor eine zu hohe Temperatur angezeigt
E7	Überlastschutz des Kompressors Der Kompressor ist selbstgeschützt und wird aufgrund übermäßiger Belastung stoppen.

Garantie

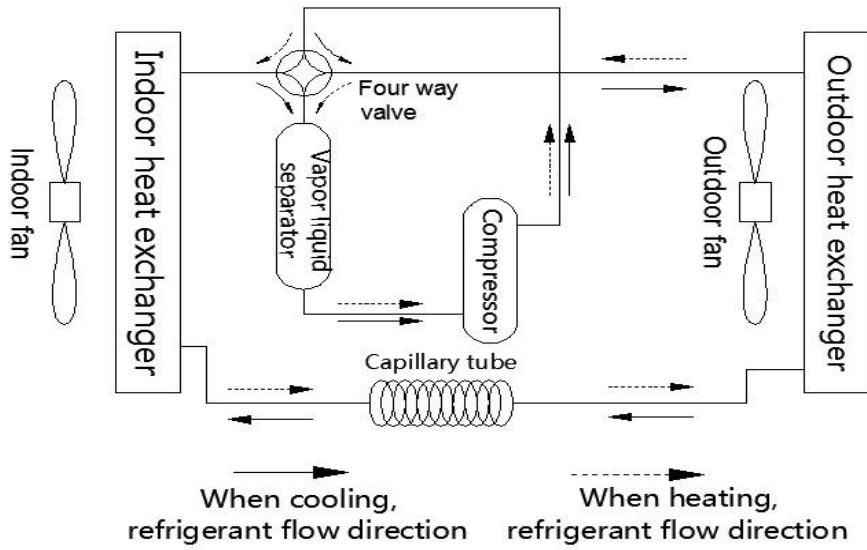
Das Gerät hat eine 2-jährige Garantie nur auf Teile.



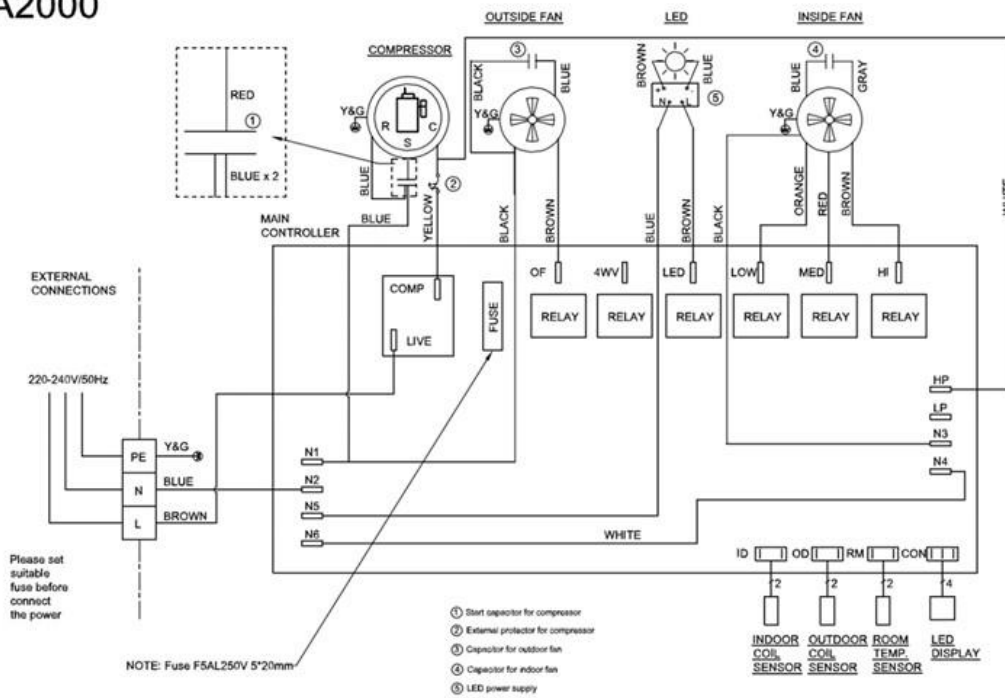
DK

1. Introduktion
2. Installationsguide
3. Betjeningsvejledning
4. Specifikationer
5. Vedligeholdelse af produktet
6. Fejlfindingsguide
7. Garanti

Introduktion



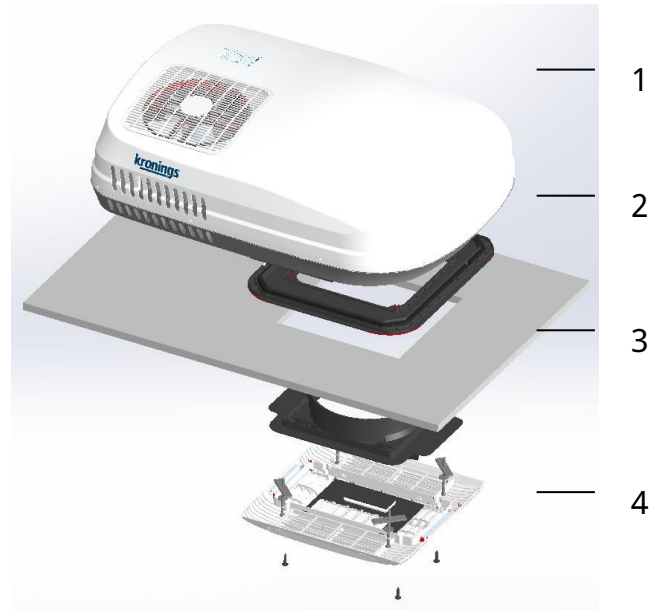
A2000



Oversigt med eksploderede tegninger

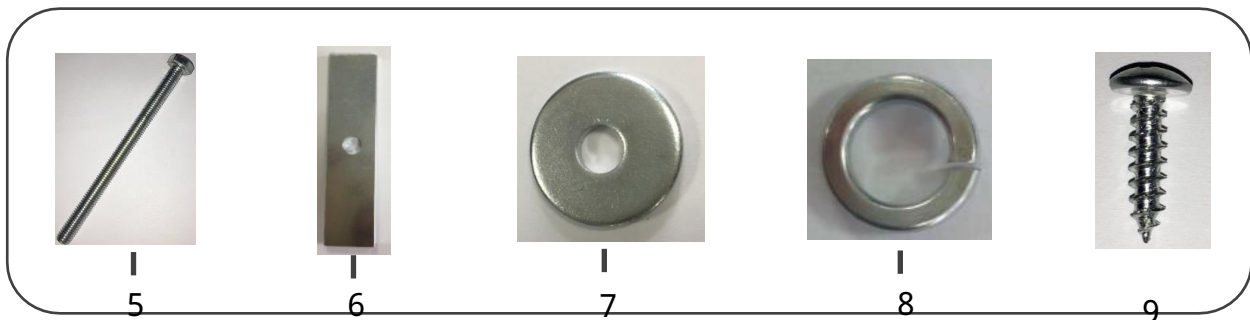
Hovedkomponenter:

1. Airconditioner hovedenhet x1
2. Forstærket tagstøtte x1
3. Monteringsramme x1
4. Inderpanel enhed x1



Fæstningskomponenter:

5. M8 x 110 mm møtrik x4
6. Fæstningsskiver x4
7. Runde skiver x4
8. Fjedre-skiver x4
9. Skruer til plenum x4



Brug

A2000-50 skaber et komfortabelt miljø for fritidskøretøjer eller campingvogne.

Det anbefales at brugeren kontakter caravanproducenten for at forstå den totale varme belastning, så vel som at vælge en passende aircondition, få råd til at reducere varmebelastningen and forbedre ydeevne:



Parker campingvognen hvor der er skygge for at undgå direkte sollys, luk alle døre, ovenlys og vinduer, rul gardinerne for og åben solskærmen.



Sluk for alle unødvendige elektroniske apparater for at reducere varmebelastningen.



Tænd airconditionen på forhånd hvis der forventes ekceptionelle høje temperaturer.



Brug fjernbetjeningen til at sætte en egnet temperatur for at undgå hyppig start og stop.

Kondensering

Kondensering sker ofte i områder, hvor luftfugtigheden er forholdsvis høj og når varm, fugtig luft inde i caravanen møder den kolde luft fra udløbet. I dette tilfælde, venligst vær opmærksom på følgende forholdsregler:



Luk alle døre, ovenlysvinduer, vinduer og rul gardinerne for, for at formindske mængden af varm, fugtig luft, der kan komme ind i vognen.



Under brug af airconditionen vil der skabes kondens (vand) på taget. Venligst brug *High Fan mode* for at formindske mængden af kondens.

Bemærk venligst at skader, der er forskyldt af kondensvand, er ikke dækket under garanti.

Valg af 230V strøm og brug af generator

A2000-50 kræver en stabil 230V AC strømkilde, og kan kræve en generator under visse omstændigheder

Kravene for generatoren med inverter inkluderer: effektiv strømkilde; stabil strøm; output af sinus bølge, som skal imødekomme kompressorens krav. Brugeren bør kontakte en forhandler af generatorer for at få deres anbefalinger.

Bemærk venligst at skade, der er forskyldt af brug af generator, ikke er dækket af garanti.



Installationskrav

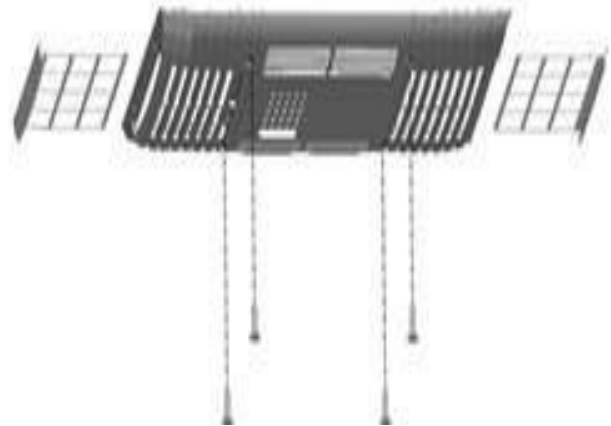
- Campingvognen eller fritidskøretøjet tag og udskæring skal kunne bære airconditionens vægt (29kg).
- Minimum tykkelse på taget: $\geq 23\text{mm}$; maksimum tykkelse på taget: $\leq 55\text{mm}$.

Installationsinstruktioner

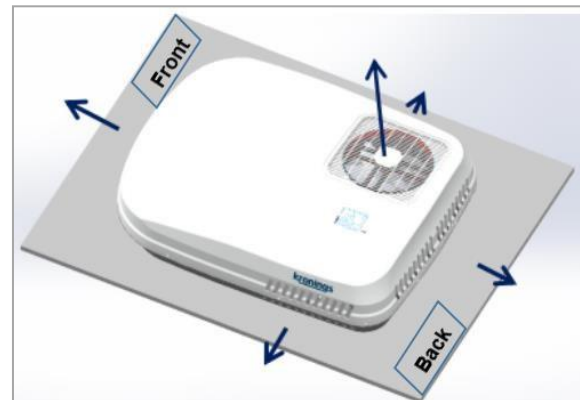
- Læs og forstå denne manual grundigt inden installation.
- Følg reglerne for elinstallation under installation.
- Der må ikke tilføjes andre dele til eller omstrukturere produktet under installation.
- Installationen skal gøres af en kvalificeret køletekniker.
- Kontakt forhandleren i tilfælde af usædvanlige anvendelser eller installationsvilkår som ikke specifikt er dækket af denne manual.

Forberedelse

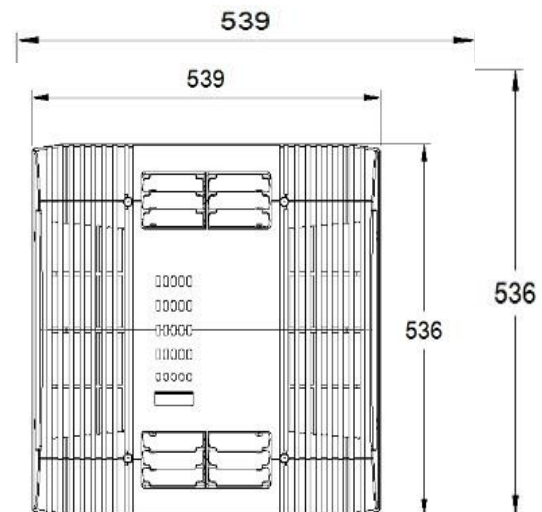
- Hovedenheden bør installeres på midten af taget, og det anbefales, at der er minimum 100 mm plads rundt om toppenheden.



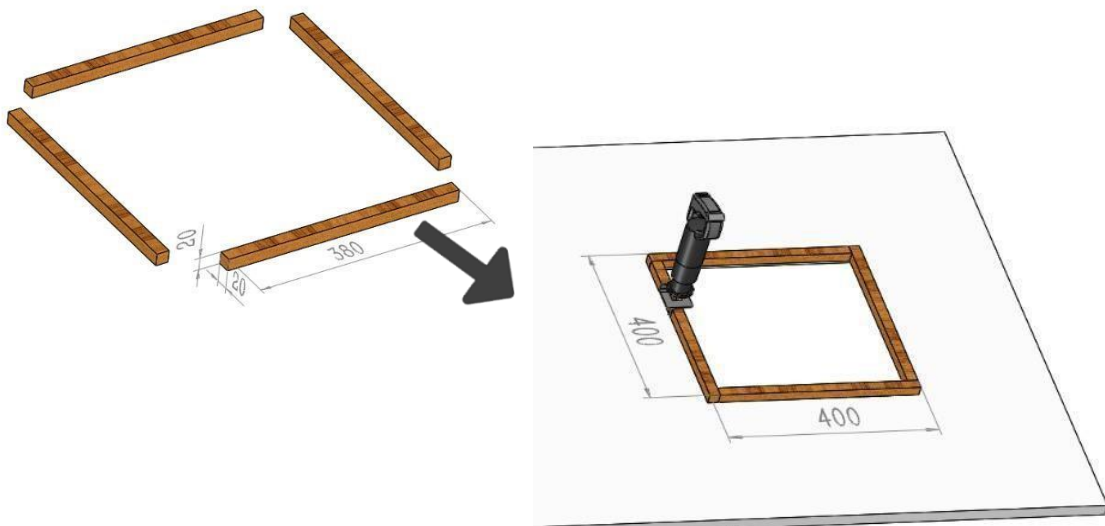
- Før installation bedes I undersøge, om der er passende plads i loftet til installation af inderpanelet.



- Positionen for installationen (400x400mm) bør undgå ovenlysvindue, solpanel, tagudluftning, varmere, lys, samt alle elektriske forbindelser.



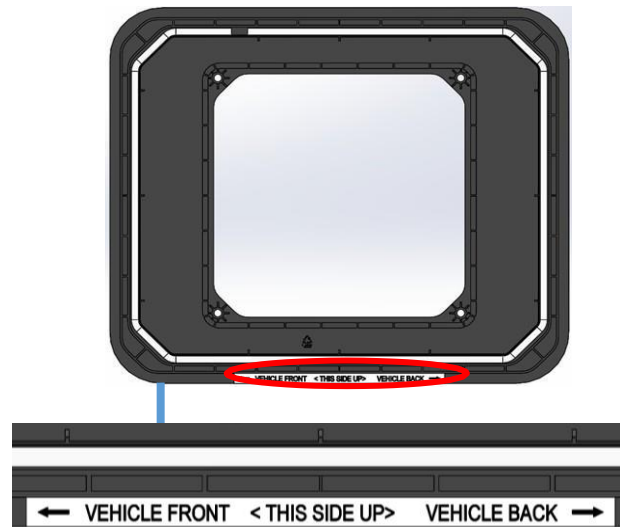
- Du bedes tjekke med din caravanforhandler for at få bekræftet at taget kan bære vægten af airconditionen og holde en fast lige overflade for at undgå akkumulering af kondens/vand.
- Du bedes kontakte din caravanforhandler for den bedste løsning, hvis det kræves, at der skal skæres et monteringshul, hvis ikke der er lavet plads til airconditionen.
- Skær et 400 x 400 hul og forstærk det med den passende træramme (se billede). Dette er for at sikre, at taget ikke ødelægges under installation og luft ikke trænger ind i loftet.
- I nogle tilfælde kan der kræves montering af en ekstra metalramme for at forstærke tagstrukturen. Kontakt din caravanforhandler/installatør for at finde en passende løsning.



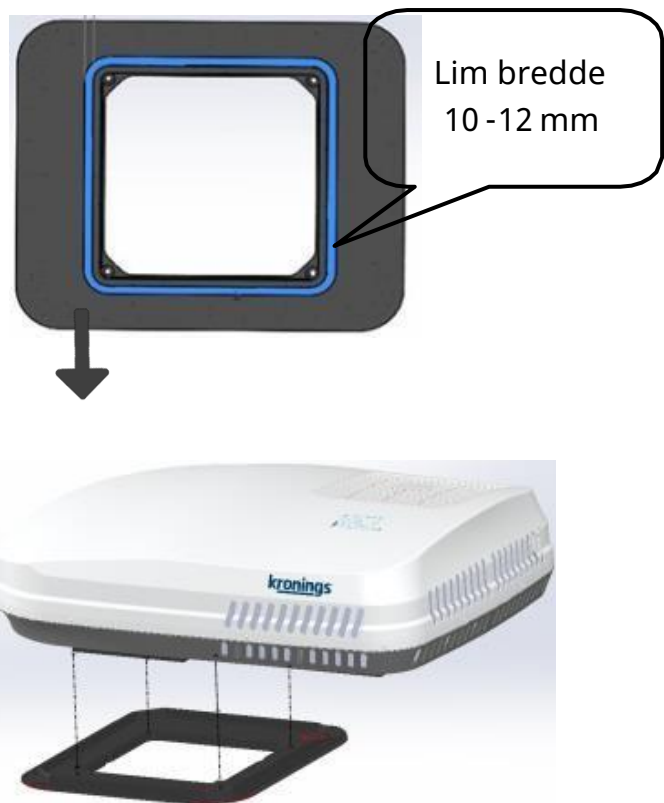
Installation

- Tag tagstøtten op fra kassen og sørg for at den er tilpasset korrekt.

- Påfør en sammenhængende linje af forsegler på bagenden af støtten og monter den i hullet imens det sikres, at den er tilpasset korrekt.



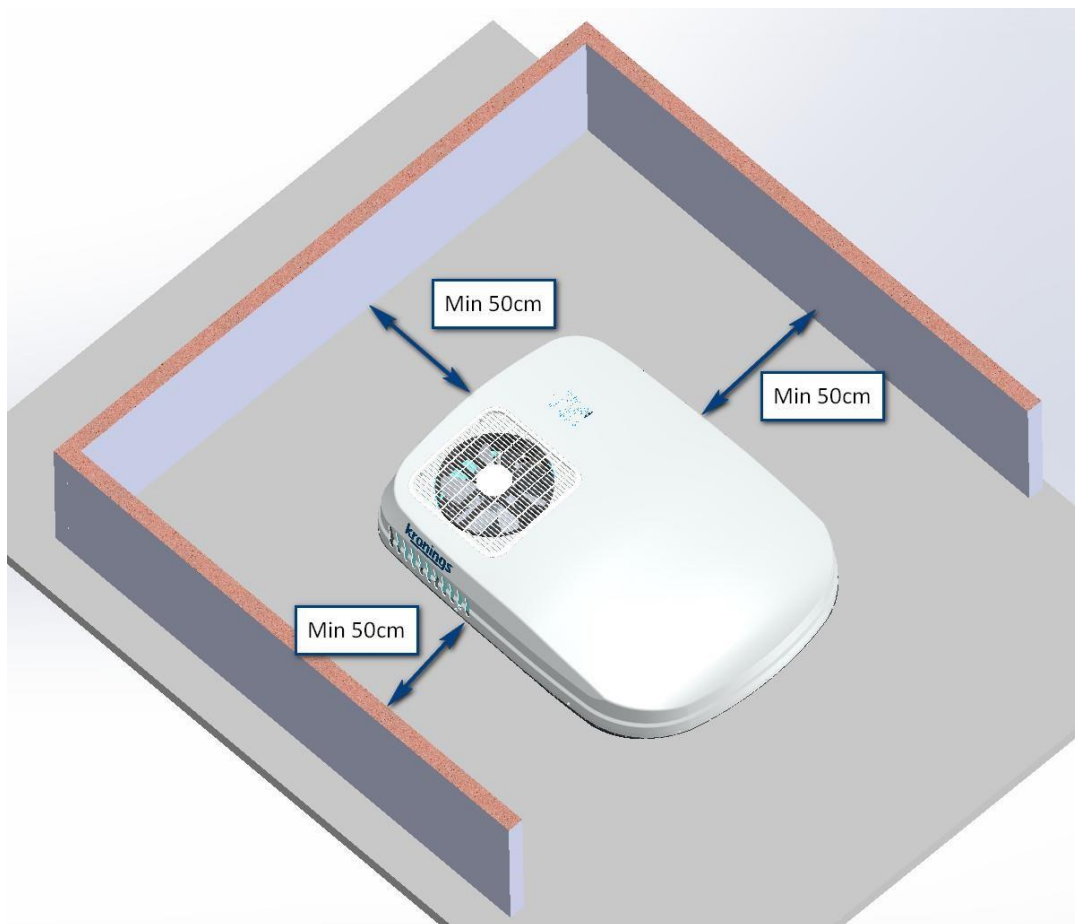
- Installér hovedenheden forsigtigt på tagstøtten.



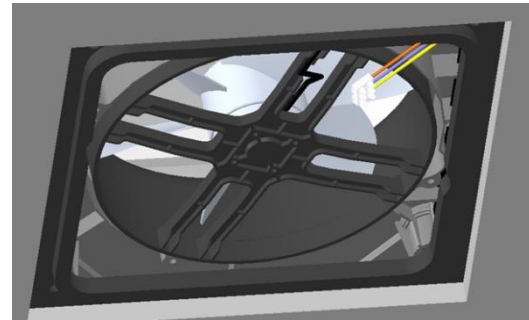
Installations- og placeringsinstruktioner:

- For bedst mulig ventilation og luftstrøm, venligst sørg for at installere A/C enheden på sådan en måde, at der i alle retninger er minimum 50 cm distance til skabe, vægge, osv.

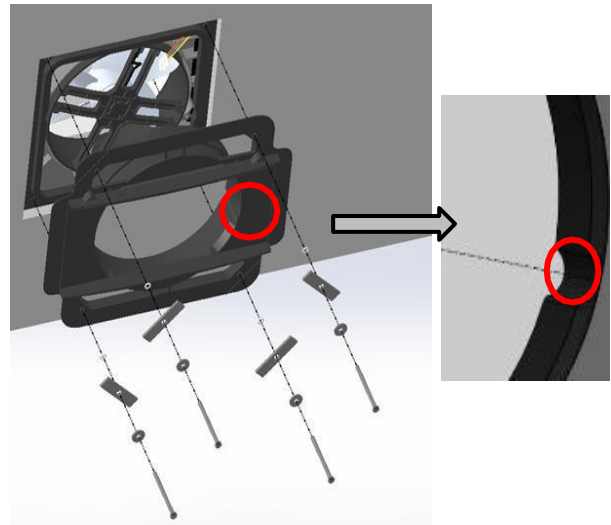
Venligst se nedenstående tegning.



- Match de tilsvarende aktive (brune), neutrale (blå) og jordforbindelsesledninger (gulgrønne) og fæstn skruerne for at sikre at strømmen er sikkert forbundet.



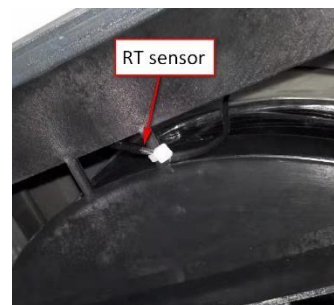
- Indsæt inderpanelets monteringsbeslag igennem loftet til fundamentet. Vær opmærksom på at "C" krogen skal matche den tilsvarende "C" område på fundamentet. Til sidst strammes skruerne.



- Indsæt 4xM8 møtrik, skiver, fjedreskiver og metal plade via monteringsrammen til basen.

Vigtigt: Sikre tilspændningsmomentet fra 12 til 14 N.m

- Fastgør rumtemperatursensoren på ribben af monteringsbeslaget.



- Indsæt stkkene fra inderpanelet til basen. Pres inderpanelet ind i udløbskanalen og fæstn 4xM4 skruer på bunden. Til sidst tilføjes filtrene til siderne af inderpanelet.





Tips

1. Vær forsigtig når du installerer enheden på taget, brætter til at kravle på kan kræves.
2. Der kan være ledninger imellem tag og loft. Når der skæres ind i taget, skal det sikres at strømmen er isoleret for at forhindre risikoen for elektriske stød.
3. Installation og vedligeholdelse af airconditioningen må kun laves af personale med passende faglige kvalifikationer og have de rette licenser for sådant arbejde.
4. Vær sikker på at airconditioningen er installeret i henhold til instruktionerne i denne manual. Ukorrekte installationsmetoder eller ændringer af produktet kan gøre skade på produktet eller personlig skade til forbrugeren.
5. Vær sikker på at den eksterne stikkontakt til airconditioningen i vognen har sikkert jordforbindelse i overensstemmelse med passende el-standarder. Manglende eller ukorrekt jordforbindelse kan føre til elektriske stød eller brand.
6. Sikre at din elforsyning og ledninger er korrekt størrelse til strømmen og opfylder passende el-standarder.
7. Tænd for airconditioningen ved isolationsbryderen.
8. Campingvognens aircondition skal tændes efter installation for at opdage strøm lækage.
9. Brug fjernbetjeningen til at betjene airconditioningen.
10. For at vælge *COOL mode*, juster sluttemperaturen tre grader lavere end rumtemperaturen, enheden vil starte med at blæse kold luft efter kompressoren starter efter cirka 3 minutter.
11. Hvis du ikke har mulighed for at bruge airconditioningen i en længere periode, bedes du isolere strømforsyningen.



12. Denne enhed må ikke bruges af personer (inklusivt børn) med reducerede fysiske, sensoriske eller mentale kapaciteter eller mangel på erfaring og viden medmindre de er under opsyn.

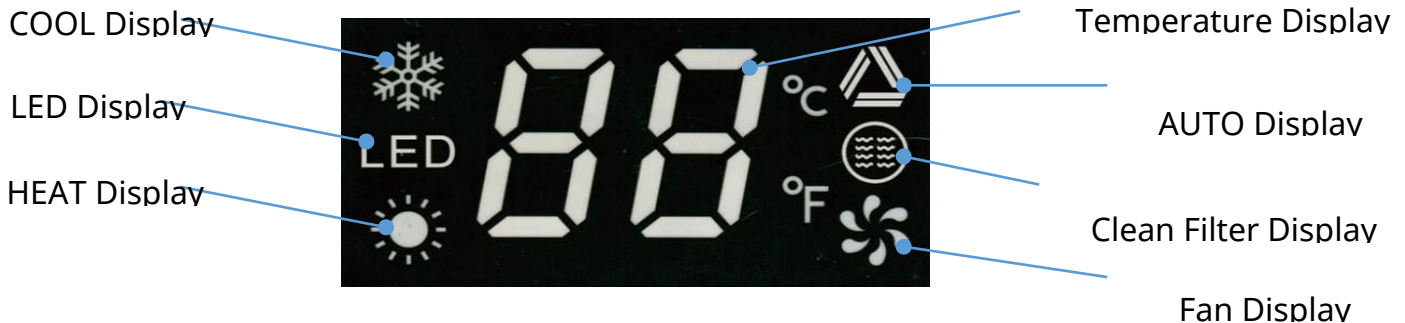
13. Systemet er automatisk sat til at overvåge frysning af fordamperen, hvis dette sker vil systemet automatisk starte "Afrimning" processen. Der vil først vises "DF" på skærmen, dernæst vil 4-vej ventilen vil ændre dens strømningsretning for 1 minut og derefter vil kompressoren køre i 10 minutter, indtil systemet opfanger, at der ikke er mere is i fordamperen. Efter denne proces er færdig, vil "DF" forsvinde fra skærmen, og enheden vil fortsætte med at køre.

Bemærk: Efter valg af COOL/HEAT mode, vil kompressoren have en forsinket start på 3 minutter.

Fjernbetjening




Inderpanel display




Brug af fjernbetjeningen


TÆND

Tryk på "Tænd/Sluk"  knappen, enheden tændes, inderpanelet bipper en gang and indstillingen og temperaturen vil blive vist.

SLUK

Tryk på "Tænd/Sluk"  knappen igen, enheden slukkes og inderpanelet viser ikke længere noget.

AUTO mode

Tryk på "MODE" knap, vælg " mode, Ventileringshastigheden stilles automatisk og kan justeres. Tryk på "FAN" knappen for at få den ønskede hastighed. Tryk på "TEMP+" eller "TEMP-" knappen for at indstille den. Er der forskel mellem den ønskede temperatur og rumtemperaturen vil airconditionen automatisk køle eller varme.



COOL mode

Tryk på "MODE" knappen, vælg "❄️" mode, og tryk på "TEMP-" ned knappen for at indstille temperaturen lavere en rumtemperaturen. Tryk på "FAN" knappen for at vælge forskellige hastigheder og inderpanelet vil vise " " og den ønskede ❄️ temperatur.

FAN mode

Tryk på "MODE" knappen, vælg "🌀" mode, Tryk på "FAN" knappen. Vælg Lav/Medium/Høj/AUTO. Inderpanelet vil vise "🌀" og temperaturen indendørs.

Skift mellem Celsius og Fahrenheit

I hvilken som helst mode, tryk på "°C/°F" knappen, derved kan du skifte temperatur mellem Celsius og Fahrenheit.

LED tænd og sluk

Tryk på LED knappen og LED lyset tændes; tryk på LED knappen igen og LED lyset slukkes igen.

TIMER TÆND

Tryk på "TIMER ON" knappen, timetallet vil blinke. Tryk på "TIME+" eller "TIME-" knappen for at indstille den ønskede tid for "TIMER ON". Tryk på "OK" knappen for at godkende opsætningen.

TIMER SLUK

Tryk på "TIMER OFF" knappen, Timetallet vil blinke. Tryk på op eller ned knappen for at indstille den ønskede til for "TIMER OFF". Tryk på "SET" knappen for at godkende opsætningen. Hvis up- eller down-knappen bliver holdt nede i 2 sekunder fastlåses tidspunktet



Indstilling af uret

Tryk på "CLOCK" knappen for at indstille tiden: fortsæt med at trykke på "TIME+" eller "TIME-" knappen for at vælge en ønsket tid. Hvis up- eller nedknappen bliver holdt nede i 2 sekunder fastlåses tidspunktet.

SOVEFUNKTION

Tryk på "SLEEP" knappen for at vise sleep ikonet på fjernbetjeningens skærm, imens denne funktion kører vil temperatur automatisk stige 1 grad efter en time, og efter 2 timer vil den stige 2 grader, dernæst vil den holde den same temperatur, indtil den automatisk slukker 8 timer efter indstillet. Sovefunktionen kan kun blive aktiveret på COOL mode.

Modsat, vil enheden i heating mode automatisk nedjustere temperaturen 1 grad efter en time og med 2 grader efter 2 timer, dernæst vil den fastholde temperaturen indtil den automatisk slukker 8 timer efter indstillet.

- FJERNBETJENINGEN VIL KUN FUNGERE HVIS DEN ER DIREKTE PEGET IMOD INDERPANELET. Den vil bippe en enkelt gang når den har modtaget signalet. Juster distancen og vinklen, hvis inderpanelet ikke svarer.
- Enheden blæser kold luft i COOL mode.
- Når enheden er tændt, tryk på "DISPLAY" knappen på fjernbetjeningen for at tænde inderpanelets skærm.
- Airconditionen kommer med en power cut memory funktion og automatisk nulstilning efter genstart.
- Hvis enheden skal stå ubrugt I længere tid, bør batterierne fjernes fra fjernbetjeningen.

Specifikationsparametre

Model A2000-50

Strømforsyning	220~240V/50Hz
Kølemiddelladning	R407C/450g
Nominel kølekapacitet (W)	2000
Nominel varmekapacitet (W)	NA
Indgangseffekt til afkøling (W)	690
Indgangeffekt til opvarmning (W)	NA
Nominel effekt for afkøling (A)	3.0
Nominel effekt for opvarmning (A)	NA
Maximal indgangseffekt (W)	805
Maksimum strøm (A)	3.5
Maximal designtryk (kPa)	2900
Minimum designtryk (kPa)	1840
Maximum luftstrøm (l/s)	102
Installeret vægt (kg)	33
Minimum omgivelsestemperatur (°C) opvarmning	NA
Maksimal omgivelsestemperatur (°C) - kølning	50
Hovedenhed - dimensioner	Højde 244mm; Bredde 567mm; Længde 1079 mm
Inderpanelenhed - dimensioner	Højde 40mm; Bredde 540mm; Længde 536mm

Bemærk:

1. Alle viste parameter kan ændres uden varsel og navnepladerne på maskinerne er gældende;
2. E&OE Alle værdier er omtrentlige og kan ændres

Vedligeholdelse af produktet

Filter

- Luftfilterkomponenterne har brug for periodisk vedligeholdelse.
- Tjek og rens filtrene hver uge under brug. Systemet vil minde dig om at rens filtrene efter 500 timers brug af kompressoren, dette vil vises på skærmen.



- A) Fjern filtrene fra inderpanelet og vask i varm vand med en smule neutral sæbe.
- B) Tryk på annulleringsknappen i 3 sekunder for at nulstille indikatoren.

Kølevæskniveauet kan falde med tiden. Vi anbefaler, at en professionel tekniker efterfylder eller genopfylder enheden med frisk kølevæske.

Skrue tjek

- Det anbefales at boltene, der holder enheden til taget tjekkes for stramning 3 måneder efter produktet er blevet installeret.
- Disse bolte skal inspiceres regelmæssigt, minimum hver 12 måned igennem airconditionens levetid.

Vedligeholdelse

Det anbefales at airconditionen bruges regelmæssigt for at sikre en god ydeevne.

I tilfælde af at campingvognen ikke vil blive brugt regelmæssigt, så bør enheden bruges i 20-30 minutter hver 6 måned.

I tilfælde af at campingvognen holder parkeret udenfor i en længere periode, anbefales det at et beskyttende dække monteres over airconditionens hovedenheden for beskyttelse for vind og vejr.




Fejlfindingsguide

1. Skærmen vises ikke på inderpanelet, når det tændes/slukkes

- Tjek om strømmen er ordenligt forbundet til vognen.
- Tjek om fjernbetjeningens batteri er i god stand.
- Tjek om fjernbetjeningen er tændt.
- Tjek om der er god forbindelse imellem tagenheden og inderpanelet.

2. Kølingen er utilstrækkelig

- Vælg den korrekte cooling mode og bekræft at  lyser.
- Den indstillende temperatur er lavere end rumtemperaturen.
- Der er en tre minutters forsinkelse på kompressoren.
- Sikre dig at filtrene er rene.
- Vælg maksimum ventilering for at sikre den bedste ydeevne.
- Sikre dig at alle døre og vinduer er lukkede.
- Rul gardinerne for for at reducere den indkommende varme.



EO Kommunikationsfejl

E1	Rumtemperatursensoren Fejl i forbindelsen til temperatursensoren eller anden skade.
E2	Indendørs-spole temperatur sensor fejl Fejl i forbindelsen til temperatursensoren eller anden skade.
E3	Udendørs-spole temperatursensor fejl Fejl i forbindelsen til temperatursensoren eller anden skade.
E4	Utilstrækkelig kølemiddel Fejl i køle- eller opvarmningsfunktionen. Ingen temperaturforskelle opdages af indendørsspole sensoren 20 minutter efter kompressoren har startet op.
E5	Problem ved i at indendørs/ udendørs-spolen overophedes Under Cool eller Tør mode, er der en for høj temperatur ved udendørs-spole sensoren. I opvarmningsmode, er der for høj temperatur på indendørs-spole sensoren.
E7	Beskyttelse for overlast af kompressor Kompressoren beskyttes og slukkes, da den er under for høj last.

Garanti

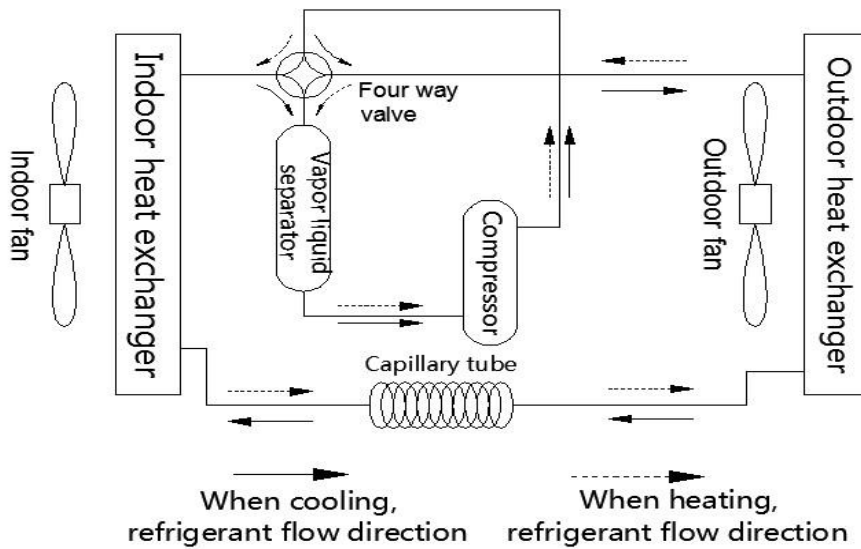
Enheden kommer med to års garanti.



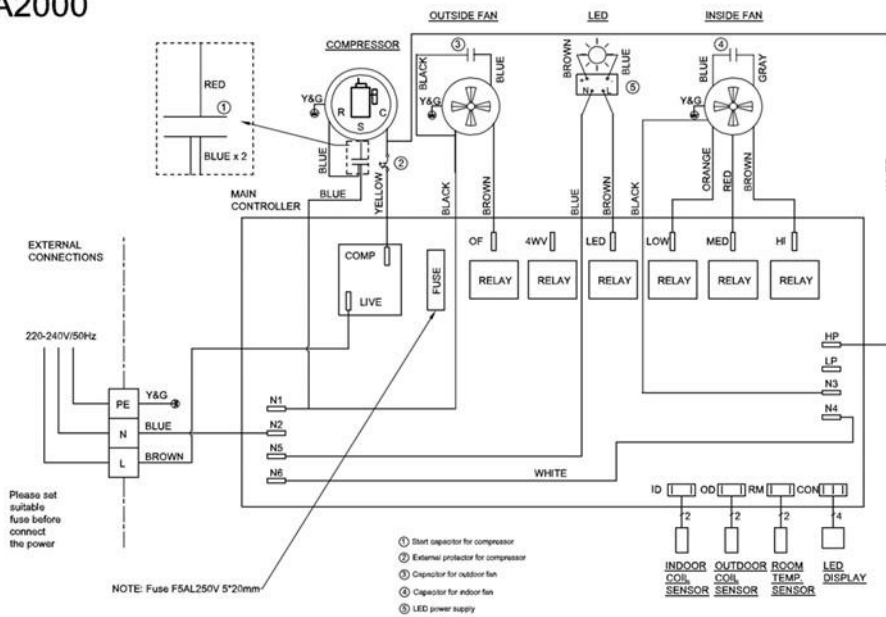
FR

1. Introduction
2. Guide d'installation
3. Instructions d'emploi
4. Paramètres de spécifications
5. Maintenance produit
6. Guide de dépannage
7. Garantie

Introduction

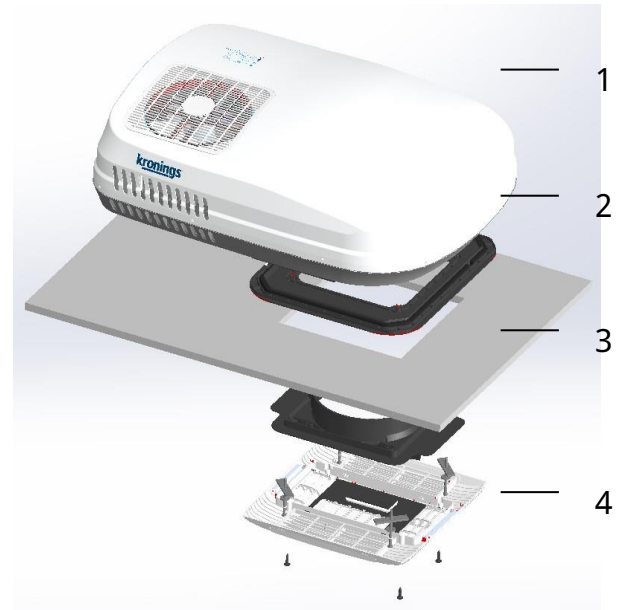


A2000



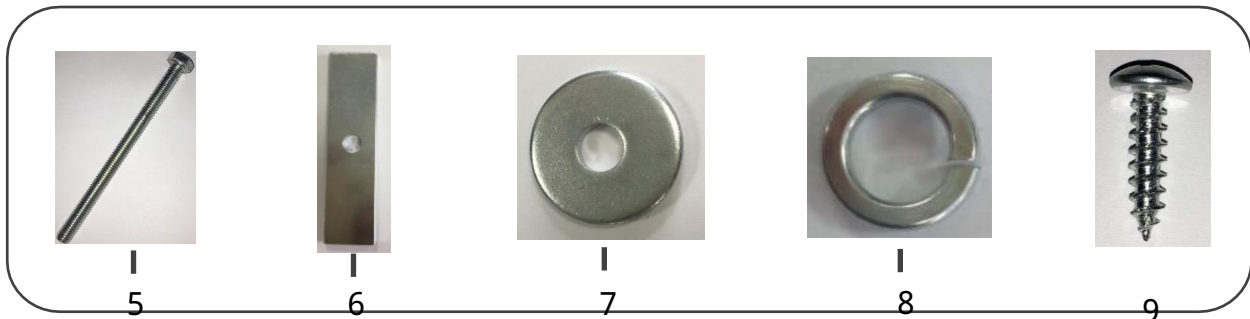
Liste des pièces Composants principaux:

1. Unité principale de climatisation ×1
2. Support renforcé de toit ×1
3. Cadre de montage ×1
4. Unité de plenum ×1



Matériel de montage:

5. Boulons M8 x 110 mm ×4
6. Écrous de fixation ×4
7. Rondelles ×4
8. Rondelles à ressort ×4
9. Vis pour plenum ×4



Fonctions

Le A2000-50 crée un ambiance confortable dans un véhicule de loisirs ou une caravane.

Il est conseillé à l'utilisateur de consulter le constructeur de la caravane pour comprendre la charge thermique totale, ainsi que pour choisir un climatiseur adapté, recevoir quelques conseils pour réduire la charge thermique et améliorer les prestations:



Parquez la caravane à un endroit ombragé pour éviter l'exposition au soleil direct, fermez tous les portes, lanterneaux et baies, tirez les rideaux et ouvrez la marquise.



Coupez les appareils électriques inutiles pour réduire la charge thermique.



Activez le climatiseur à l'avance si l'on prévoit des températures exceptionnellement élevées.



Réglez une température appropriée avec la télécommande pour éviter les arrêts et démarrages fréquents.

Condensation

Une condensation se produit généralement dans les régions avec une hygrométrie assez élevée, lorsque de l'air chaud et humide dans la caravane rencontre l'air froid des sorties d'air. Dans ce cas, prenez les mesures suivantes:



Fermez tous les portes, lanterneaux, baies et tirez les rideaux pour réduire la pénétration de la quantité d'air chaud et humide.



Pendant le fonctionnement de la climatisation, de l'eau de condensation se formera sur le toit. Sélectionnez le mode *High Fan* pour accroître la circulation et réduire le degré de condensation.

Veillez noter que les dommages causés par l'eau de condensation ne sont pas couverts par la garantie

Choix d'une alimentation 230 V et emploi d'un groupe

Le A2000-50 requiert une source d'alimentation stable de 230 V CA et peut exiger un groupe électrogène dans certains endroits isolés.

Le groupe-transformateur doit satisfaire aux exigences suivantes : alimentation efficace; courant stable; onde sinusoïdale de sortie, qui satisfait aux exigences du compresseur. L'utilisateur doit consulter le fournisseur du groupe pour connaître ses recommandations.

Veillez noter que les dommages causés par l'emploi d'un groupe ne sont pas couverts par la garantie.



Exigences d'installation

- Le toit et la découpe du véhicule de loisirs ou de la caravane doivent être capables de supporter le poids du climatiseur (29 kg).
- Épaisseur minimale du toit : ≥ 23 mm; épaisseur maximale du toit : ≤ 55 mm.

Instructions d'installation

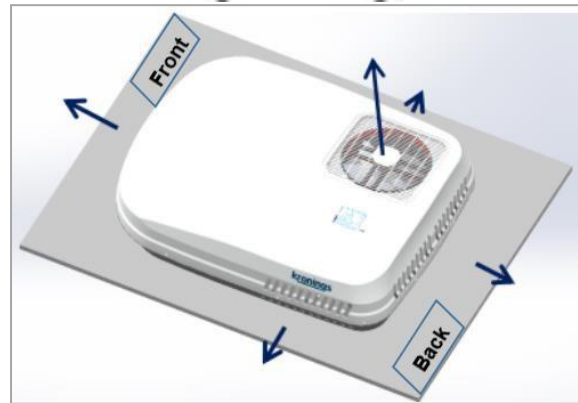
- Lisez soigneusement et comprenez ce manuel avant l'installation.
- Respectez les règles de câblage pendant l'installation.
- N'ajoutez pas d'autres pièces ou ne modifiez pas le produit pendant l'installation.
- Les installateurs doivent être des techniciens qualifiés en réfrigération.
- Consultez le distributeur pour une application inhabituelle ou des conditions d'installation qui ne sont pas couvertes spécifiquement par ce manuel.

Préparation

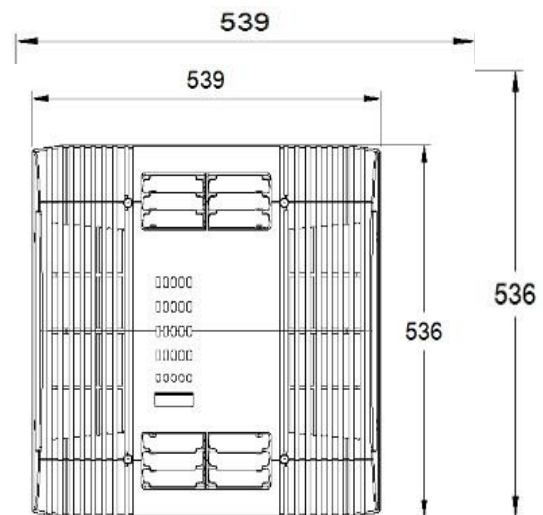
- L'unité principale doit être installée au centre du toit ; il est recommandé d'avoir un espace minimal de 100 mm autour de cette unité.



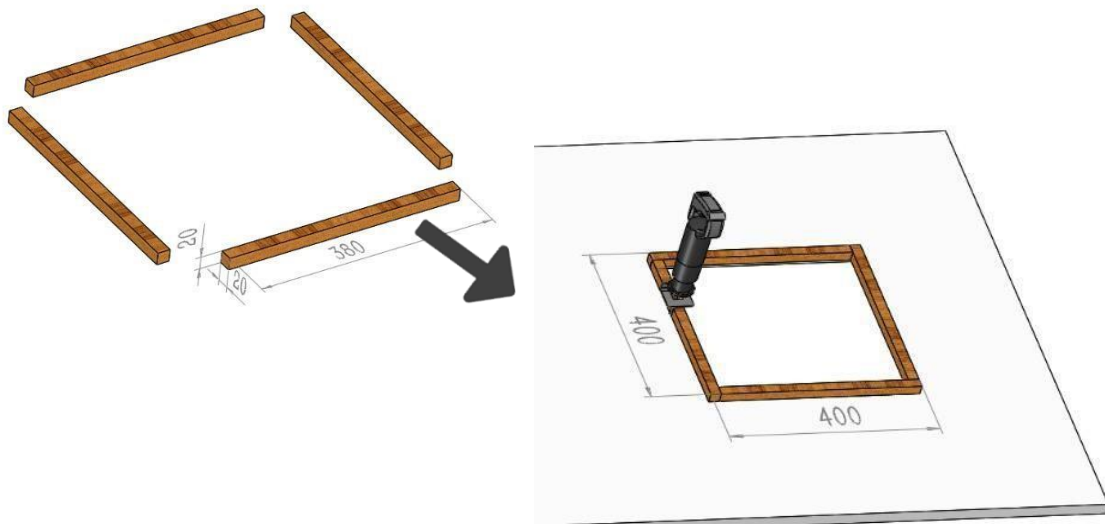
- Avant l'installation, assurez-vous qu'il y a de la place appropriée dans le plafond pour installer le plenum.



- La position d'installation (400 x 400 mm) doit éviter les lanternes, panneaux solaires, événements de toit, chauffages, l'éclairage et tous les raccords électriques.



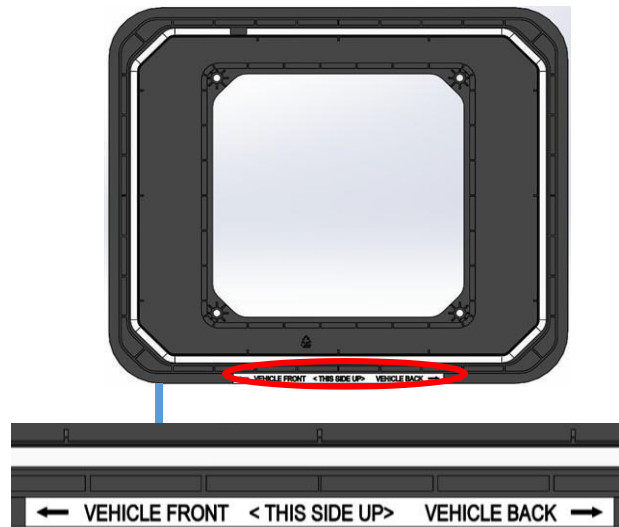
- Vérifiez avec le constructeur de votre caravane si le toit est capable de porter le poids du climatiseur et de garder une surface égale pour éviter l'accumulation de condensat/d'eau.
- Vérifiez avec le constructeur de votre caravane quelle est la meilleure solution s'il est nécessaire de découper un orifice de montage, s'il n'y a pas de dispositif prévu pour un climatiseur.
- Découpez un orifice de 400 x 400 mm et renforcez-le avec un cadre en bois de format approprié (voir figure). Cela doit assurer que le toit ne s'affaissera pas lors de l'installation et que de l'air ne pénètre pas dans la zone de plafond.
- Dans certains cas, un cadre métallique séparé peut être nécessaire pour renforcer la structure du toit. Consultez le constructeur de votre caravane pour trouver une solution appropriée.



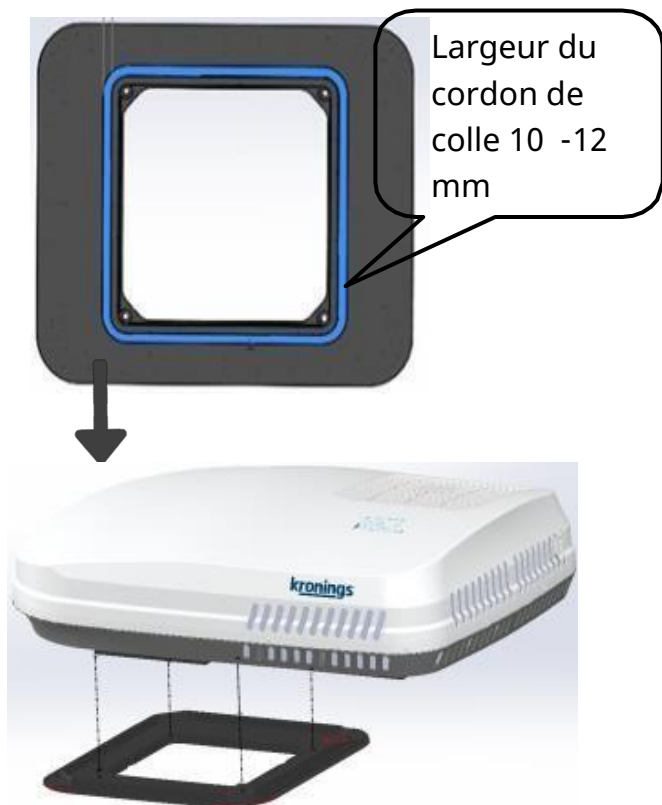
Installation

- Sortez le support de toit de son carton et veillez à ce qu'il soit aligné correctement.

- Posez un cordon continu de colle sur l'arrière du support et montez-le dans l'orifice pour assurer qu'il soit aligné correctement.



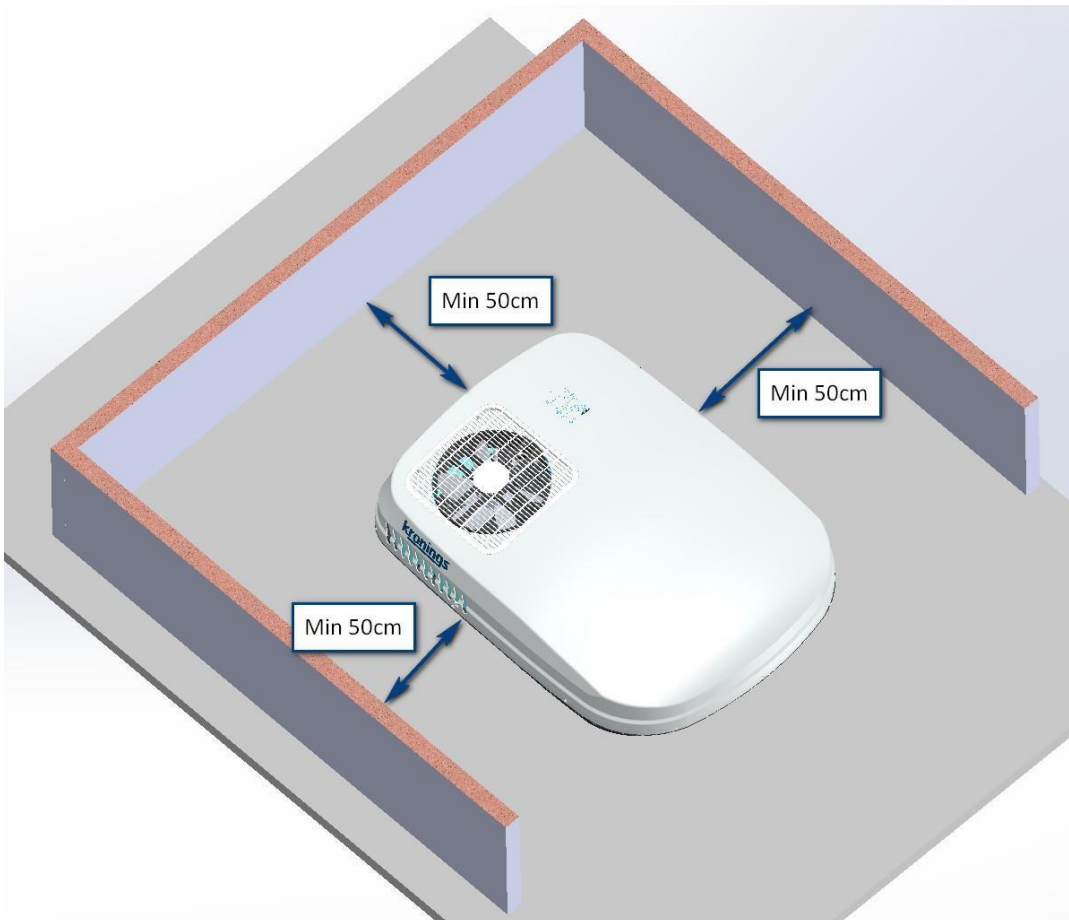
- Installez prudemment l'unité principale sur le support de toit.



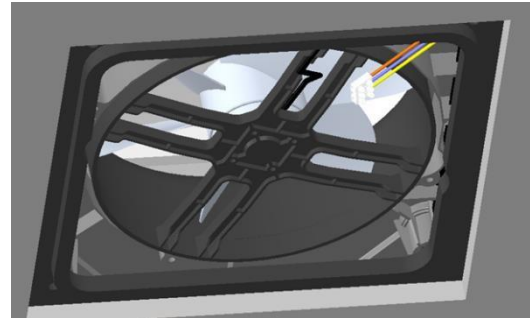
Instructions d'installation et de placement:

- Pour une utilisation optimale de la ventilation et du flux d'air, assurez-vous d'installer le climatiseur de manière à ce que dans toutes les directions, il y ait au moins 50 cm de distance des armoires, des murs, etc.

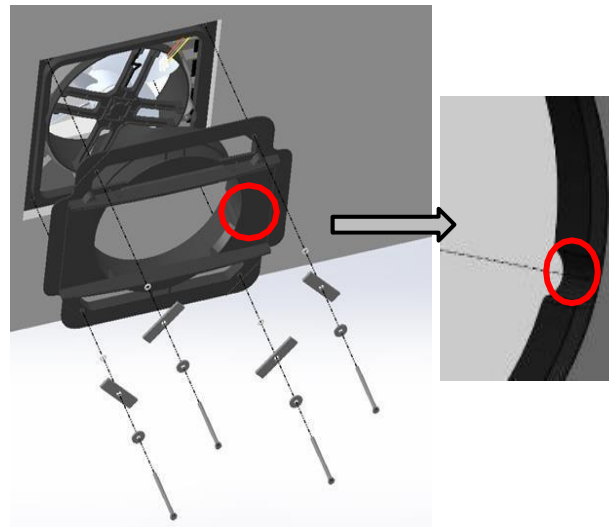
Veillez voir le dessin ci-dessous.



- Faites correspondre les conducteurs actifs (brun), neutre (bleu) et terre (jaune-vert) et serrez les vis pour assurer que l'alimentation soit branchée correctement.



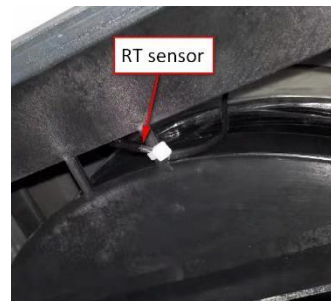
- Introduisez l'étrier de montage de plenum à travers le plafond sur l'embase. Faites attention parce que le crochet « C » doit correspondre à la zone « C » correspondante sur l'embase. Fixez ensuite.



- Insérez 4 boulons M8, rondelles, rondelles à ressort et plaquettes métalliques via l'étrier de montage dans l'embase.

Important : le couple de serrage doit être compris entre 12 et 14 Nm

- Attachez le capteur / la sonde de température ambiante sur la nervure du support de montage.



- Branchez les fiches du plenum sur la base. Poussez le plenum dans la gaine de sortie et fixez les 4 boulons M4 sur le fond. Enfin, montez les filtres sur les côtés du plenum.





Conseils

1. Attention lors de l'installation de l'unité sur le toit de la caravane, un plancher de rampement peut être requis.
2. Il peut y avoir des câbles entre le toit et le plafond. Lorsque vous coupez dans le toit, assurez-vous que l'alimentation soit coupée pour éviter tout risque de choc électrique.
3. L'installation et l'entretien de la climatisation peuvent être assurés uniquement par un personnel avec des qualifications professionnelles appropriées et disposant d'autorisations valables pour de tels travaux.
4. Assurez-vous que la climatisation ait été installée conformément aux instructions de ce manuel. Une méthode d'installation incorrecte ou les modifications au produit peuvent provoquer des dommages au produit ou des lésions physiques à l'utilisateur.
5. Veillez à ce que la prise d'alimentation électrique externe du climatiseur de caravane soit correctement mise à la terre conformément aux normes électriques appropriées. Une mise à la terre incorrecte peut provoquer un choc électrique ou un incendie.
6. Veillez à ce que votre alimentation électrique et le câblage soient de format correct pour la puissance et satisfassent aux normes électriques appropriées.
7. Mettez le climatiseur sous tension avec le sectionneur.
8. Après l'installation, le climatiseur de caravane doit être mis en marche afin de détecter toute fuite électrique.
9. Utilisez la télécommande pour faire fonctionner la climatisation.
10. Pour sélectionner le *mode REFROIDISSEMENT*, réglez le point de consigne de température à 3 °C sous la température intérieure. L'unité soufflera de l'air froid dès que le compresseur démarre – après environ 3 min.



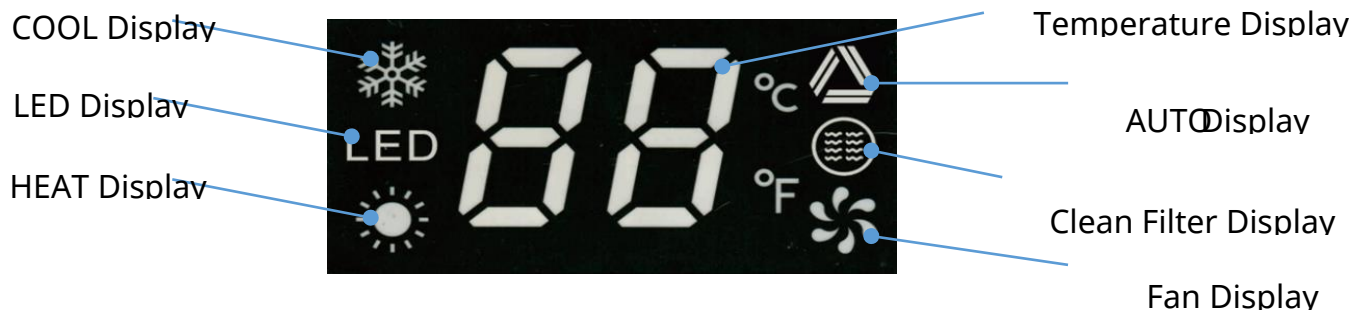
11. Si vous n'utilisez pas le climatiseur pendant une période prolongée, coupez l'alimentation électrique.
12. Cet appareil ne peut pas être utilisé par des personnes (y compris des enfants) avec des capacités physiques, sensorielles ou mentales réduites, ou un manque d'expérience et de connaissances, sauf sous supervision.
13. Le système est configuré automatiquement pour surveiller le givrage de l'évaporateur. En cas de givre, le système démarre automatiquement la procédure de dégivrage. Il indique d'abord « DF » sur l'affichage, puis la vanne 4 voies change la direction du flux pendant 1 min et le compresseur tourne pendant 10 min jusqu'à ce que système détecte qu'il n'y a plus de givre sur l'évaporateur. À la fin de cette procédure, le « DF » disparaît de l'affichage et l'appareil revient en fonctionnement normal.

Remarque: après la sélection du mode REFROIDISSEMENT/CHAUFFAGE, le compresseur ne démarre qu'après 3 minutes.

Télécommande




Affichafe de plenum



Utilisation de la télécommande


ALLUMER

Appuyez sur le bouton **Power** , l'unité démarre, le vibreur dans le plenum émet un bip et le mode de fonctionnement et la température sont affichés.

COUPER




Appuyez à nouveau sur le bouton **Power** , l'unité s'arrête et le plenum n'affiche plus rien.

Mode AUTO



Appuyez sur le bouton **MODE** et sélectionnez le mode . Le débit du ventilateur sera réglé automatiquement et il est ajustable. Appuyez sur le bouton FAN pour obtenir le débit souhaité. Appuyez sur la flèche haut ou bas pour régler la température souhaitée. Appuyez sur la touche **TEMP+** ou **TEMP-** pour régler la température souhaitée. Suivant la différence entre température de consigne et température intérieure, la climatisation décidera automatiquement de refroidir ou de chauffer.






Mode REFROIDISSEMENT

Appuyez sur la touche MODE, sélectionnez le mode  et appuyez sur la touche **TEMP-** pour régler la température plus bas que la température intérieure. Appuyez sur le bouton **VENTILATEUR** pour sélectionner une vitesse  différente et le plenum affichera  et la température réglée.

Mode VENTILATEUR

Appuyez sur le bouton MODE et sélectionnez le mode . Appuyez sur le bouton FAN. Sélectionnez Low/Medium/High/AUTO. Le plenum affichera  et la température intérieure.

Mode CHAUFFAGE

Appuyez sur le bouton MODE et sélectionnez le mode . Appuyez sur la touche **TEMP+** pour régler la température plus haut que la température intérieure. Appuyez sur le bouton  pour sélectionner une vitesse différente. Le plenum affichera  et la température réglée.

Commutation entre degrés Celsius et Fahrenheit

Dans tous les modes, vous pouvez appuyer sur la touche °C/°F pour commuter entre la température en Celsius ou Fahrenheit.

Activer et couper LED

Appuyez sur la touche LED, l'éclairage LED est activé ; appuyez à nouveau sur le bouton LED et le LED est coupé.



ACTIVER LA MINUTERIE

Appuyez sur la touche «TIMER ON», «ON TIME» clignotera. Appuyez sur la flèche haut ou bas pour régler l'heure souhaitée pour «TIMER ON / Activer le Timer». Appuyez sur la touche «SET» pour confirmer que la configuration est terminée. Appuyez sur la flèche haut ou bas pendant 2 secondes pour entrer dans le réglage rapide.

ARRÊT DE LA MINUTERIE

Appuyez sur la touche «TIMER OFF», «ON TIME» clignotera. Appuyez sur la flèche haut ou bas pour régler l'heure souhaitée pour «TIMER OFF». Appuyez sur la touche «SET» pour confirmer que la configuration est terminée. Appuyez sur la flèche haut ou bas pendant 2 secondes pour entrer dans le réglage rapide.

Ajustage de l'HORLOGE

Appuyez sur le bouton CLOCK pour ajuster l'heure : appuyez longuement sur **TIME+** ou **TIME-** pour sélectionner une heure souhaitée.

SLEEP

Appuyez sur la touche **SLEEP** pour afficher l'icône Sleep sur l'écran de la télécommande. Avec cette fonction, la température augmentera automatiquement de 1 °C après 1 h, et 2 °C après 2 h, après quoi elle maintiendra la même température et se coupera automatiquement 8 h après le réglage.

Au contraire, en mode chauffage, la fonction réduira automatiquement de 1 °C après 1 h, puis 2 °C après 2 h, après quoi elle maintiendra la même température et se coupera automatiquement 8 h après le réglage.



- LA TÉLÉCOMMANDE FONCTIONNERA UNIQUEMENT SI ELLE EST POINTÉE DIRECTEMENT VERS LE PLENUM. Il fait entendre 1 bip lorsque le signal est reçu. Corrigez la distance et l'angle si le plenum ne réagit pas.
- L'unité soufflera de l'air froid en mode REFROIDISSEMENT et de l'air chaud en mode CHAUFFAGE.
- Lorsque l'unité est allumée, appuyez sur le bouton DISPLAY sur la télécommande pour afficher sur le plenum.
- Le climatiseur possède une mémoire de panne secteur et se réinitialise automatiquement après un redémarrage.
- Si l'appareil reste inutilisé pendant une période prolongée, retirez les piles de la télécommande.



Paramètres des spécifications


Model	A2000-50
Alimentation électrique	220~240V/50Hz
Charge de réfrigérant	R407C/450g
Puissance de refroidissement nominale (W)	2000
Puissance de chauffage nominale (W)	NA
Puissance d'entrée pour refroidissement (W)	690
Puissance d'entrée pour chauffage (W)	NA
Courant nominal pour refroidissement (A)	3.0
Courant nominal pour chauffage (A)	NA
Puissance d'entrée max (W)	805
Courant max (A)	3.5
Pression de conception max (kPa)	2900
Pression de conception min (kPa)	1840
Débit d'air max (l/s)	102
Poids installé (kg)	33
Température intérieure min (°C) – chauffage	NA
Température intérieure max (°C) – refroidissement	- 50
Dimensions de l'unité principale	Hauteur 244 mm; largeur 567 mm; longueur 1079 mm
Dimensions du plenum	Hauteur 40 mm; largeur 540 mm; longueur 536 mm

Remarque:

1. Tous les paramètres figurant ici peuvent être modifiés sans préavis. Les plaques signalétiques sur la machine ont la priorité;
2. Sauf erreurs ou omissions. Toutes les valeurs sont approximatives et peuvent être modifiées

Maintenance produit

Filtre

- Les composants de filtre à air doivent être entretenus périodiquement.
- Contrôlez et nettoyez les filtres toutes les semaines lorsque l'appareil est utilisé. Le système vous rappellera de nettoyer les filtres après 500h de fonctionnement du compresseur en affichant le symbole suivant. 

- A) Sortez les filtres du plenum et lavez-les dans de l'eau chaude avec quelques gouttes de détergent.
- B) Appuyez sur le bouton Cancel pendant 3 s pour réinitialiser l'indicateur sur l'affichage.

Le niveau du réfrigérant peut baisser avec le temps. Nous recommandons un technicien professionnel pour compléter ou remplir l'unité avec du réfrigérant frais.

Contrôle des boulons

- Après la première installation du produit, il est recommandé de vérifier tous les 3 mois si les boulons qui fixent l'appareil au toit sont bien serrés.
- Ces boulons doivent être inspectés régulièrement, au minimum tous les 12 mois, pendant toute la durée de vie du climatiseur.

Maintenance

Il est recommandé de faire fonctionner régulièrement le climatiseur pour assurer un bon fonctionnement.

Si la caravane n'est pas utilisée régulièrement, il faut faire fonctionner le climatiseur pendant 20-30 min tous les 6 mois.

Si la caravane est parquée en plein air pendant une période prolongée, il est recommandé de recouvrir l'unité principale avec une bâche de protection afin de la protéger contre les intempéries.



Guide de dépannage

1. Pas d'affichage sur le plenum lorsqu'il est active/coupé

- Vérifiez si l'alimentation est branchée correctement sur le véhicule de loisirs.
- Vérifiez si les piles de la télécommande sont en ordre.
- Vérifiez si la télécommande est allumée/coupée.
- Vérifiez si l'alimentation est bien branchée entre l'unité de toit et le plenum.

2. Mauvais refroidissement

- Sélectionnez le mode de refroidissement correct et vérifiez si le témoin ❄️ est affiché.
- La température réglée doit être inférieure à la température intérieure.
- Il y a une temporisation de 3 min sur le compresseur.
- Assurez-vous que les filtres soient propres.
- Sélectionnez « max fan » pour atteindre les meilleures performances.
- Assurez-vous que la porte et les baies soient fermées.
- Tirez les rideaux pour réduire la chaleur entrante.



EO Erreur de communication

E1	Sonde de température ambiante défectueuse Défaut lié à la sonde de température ambiante ou autre dommage.
E2	Sonde de température de bobine intérieure défectueuse Défaut de connexion au capteur de température de la bobine intérieure ou autre dommage.
E3	Capteur de température de la bobine extérieure défectueux Défaut de connexion au capteur de température de la bobine extérieure ou autre dommage.
E4	Liquide Réfrigérant insuffisant Défaut dans la fonction de refroidissement ou de chauffage. Aucun changement de température n'est détecté sur le capteur de la bobine intérieure au cours des 20 premières minutes après le démarrage du compresseur.
E5	Bobine intérieure / extérieure en protection contre surchauffe En mode de refroidissement ou de séchage, température trop élevée sur le capteur de la bobine extérieure. En mode chauffage, température trop élevée sur le capteur de la bobine intérieure.
E7	Protection contre les surcharges du compresseur Le compresseur est auto-protégé et s'arrête en raison d'une charge trop élevée

Garantie

L'unité est couverte d'une garantie de 2 ans pour les pièces uniquement.